

Solid State Pressure Sensor



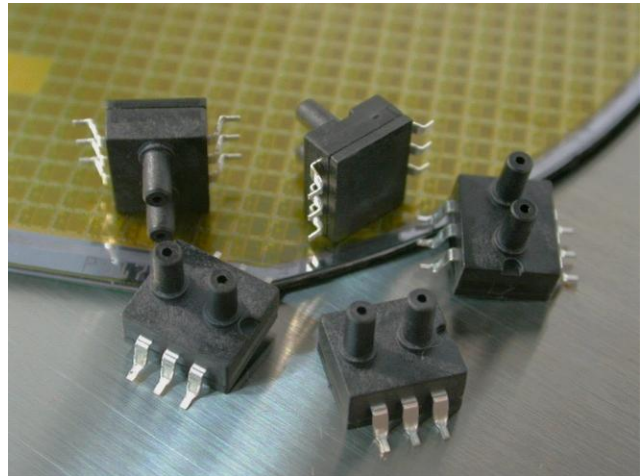
SLP Series - Model 35A Low Pressure

FEATURES

- Easy Design-in
- Temperature Compensated
- Calibrated & Amplified Output
- Low Cost

APPLICATIONS

- Process Control
- HVAC
- Consumer Electronics
- Medical Devices



Sold in North America By:
Servoflo Corporation
75 Allen Street
Lexington, MA 02421
Tel: 781-862-9572

www.servoflo.com / info@servoflo.com

DESCRIPTION

The SLP 35A Series are fully compensated and amplified pressure sensors. The series is easily one of the smallest dual port pressure sensors on the market today and enables differential pressure sensors to be fitted into the most compact of enclosures.

The Series employs the latest ASIC technology with temperature compensation of span, offset and linearity. Calibration coefficients are stored in an on-board EEPROM.

Pressure ranges are available from 0.3 to 30 psi. Ratiometric output at 5V excitation is 0.5 to 4.5 V. Pressure connection is through Tygon tube on the pressure port.

Custom calibrations are available please contact the factory for details.

Characteristics

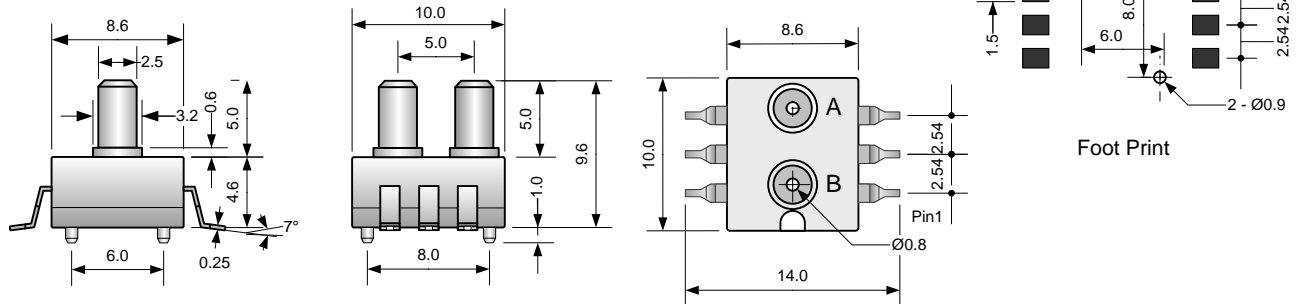
Unless otherwise specified, all parameters are measured at 25 °C, 60% RH and 5 Vdc excitation

Parameters	Min	Typ	Max	Unit
Supply Voltage ^{Note 4}	2.7 to 3.3		4.5 to 5.5	Vdc
Supply Current			3.0	mA
Pressure Range ^{Note 3}	0.3		3	psi
Zero Output (Offset)	0.320	0.500	0.680	V
Full Scale Output	4.320	4.500	4.568	V
Response Time		1	2	ms
Accuracy ^{Note 1}			±4.5	%FS
Output Current of Buffer			2.2	mA
Over Pressure ^{Note 5}			3X or 2.5psi	Rated Pressure
Temp - Compensated	0		50	°C
Temp - Operating	-20		+85	°C
Temp - Storage	-40		+125	°C

NOTES:

1. Accuracy includes non-linearity, hysteresis, TCS and TCO inside the compensated temperature range, best fit straight line definition
2. Wetted material contains Pyrex glass, RTV, Au, silicon and PPS
3. See ordering information for list of available pressure ranges
4. Specify desired operating voltage range when ordering. Output is ratiometric to supply voltage
5. Whichever is higher

Dimensions



NOTES:

1. Port B is used for positive differential
2. Port A is used for absolute
3. Port B is used for gage
4. All dimensions are in mm
5. Recommended tubing 3(OD)mm 1.8 (ID) mm Tygon tube

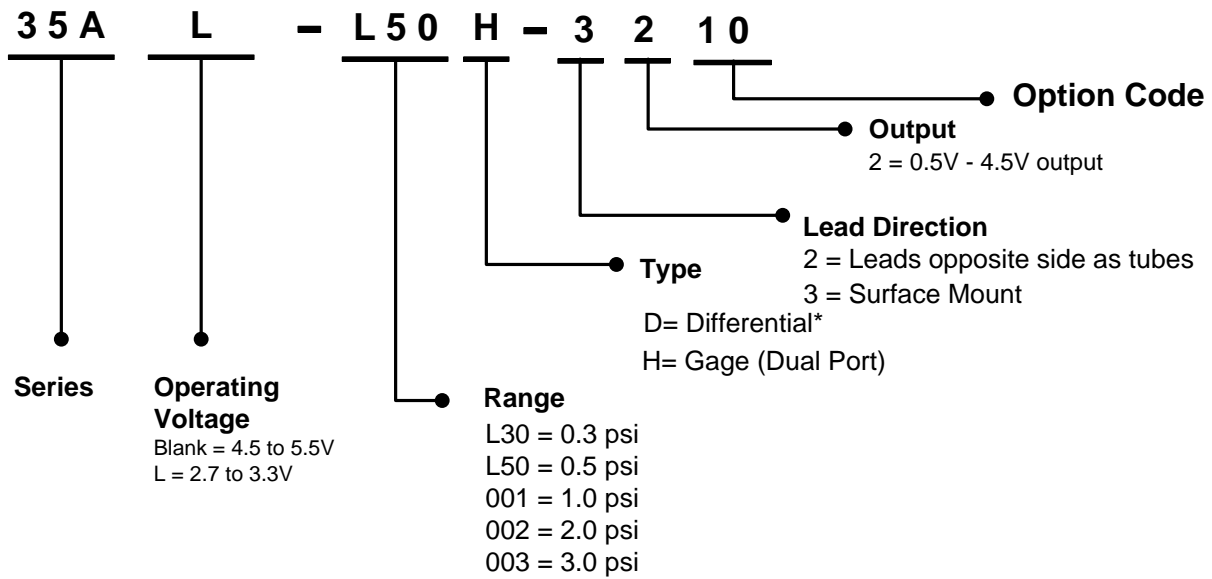
Pin #	Description
1	N.C.
2	N.C.
3	Vss
4	Vdd
5	Out
6	N.C./Vss*

Notes:

- 1) N.C. pins must be left floating
- 2) A 0.1uF capacitor must be connected between Vdd and Vss

*Pin 6 is N.C. for 0.3, 0.5 and 1 psi ranges. For ranges of 2 psi and above pin 6 is Vss. When present, both Vss pins must be connected.

Ordering Information



Notes

*Differential has +XXX psi as the Full Scale Output and -XXX psi as the Offset. Maximum Differential pressure is 7 psi

Sold in North America By:
 Servoflo Corporation
 75 Allen Street
 Lexington, MA 02421
 Tel: 781-862-9572

www.servoflo.com / info@servoflo.com

Disclaimer/Warranty/Notice

Sensormate Enterprise Co. Ltd products are not authorized for use in applications where failure could result in loss of life or injury. While Sensormate provides application assistance personally, through our literature and website, it is the responsibility of the customer to determine the suitability of the product for the intended application.

All information provided is believed to be accurate at the time of publishing however Sensormate Enterprise Co. Ltd reserves the right to make changes without prior notice.

Sensormate Enterprise Co. Ltd warrants its products to be free of manufacturing defects for a period of 12 months from the date of purchase. The maximum liability, expressed or implied shall be limited to a direct replacement of those products Sensormate finds defective. The foregoing is the Buyers Sole remedy in lieu of all other warranties, expressed or implied including those of merchantability and fitness for a particular purpose.