

Solid State Pressure Sensor



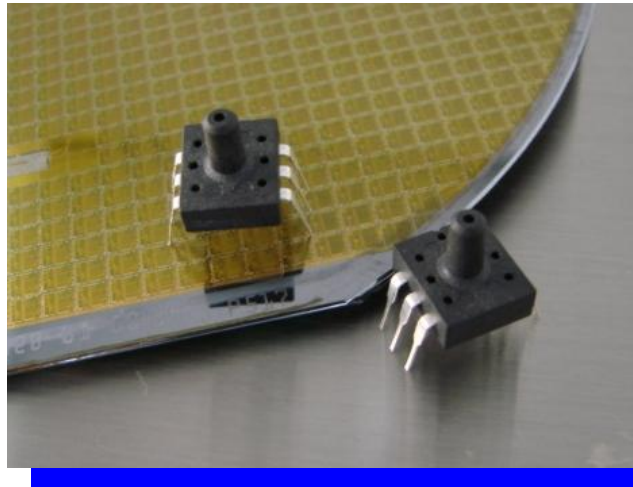
SLP Series - Model 33A Low Pressure

FEATURES

- Easy Design-in
- Temperature Compensated
- Calibrated & Amplified Output
- Low Cost

APPLICATIONS

- Process Control
- HVAC
- Consumer Electronics
- Medical Devices



DESCRIPTION

The SLP 33A Series incorporates a silicon piezoresistive pressure sensor and signal conditioning ASIC in a 6-pin DIL plastic housing for easy through hole board assembly. A surface mount version is also available. It provides a temperature compensated, calibrated pressure solution for high volume applications at an affordable cost.

Pressure ranges are available from 0.3 to 100 psig. Ratiometric output at 5V excitation is 0.5 to 4.5 V. Pressure connection is through Tygon tube on the pressure port.

Custom calibrations are available please contact the factory for details.

Sold in North America By:
Servoflo Corporation
75 Allen Street
Lexington, MA 02421
Tel: 781-862-9572

www.servoflo.com / info@servoflo.com

Characteristics

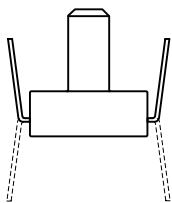
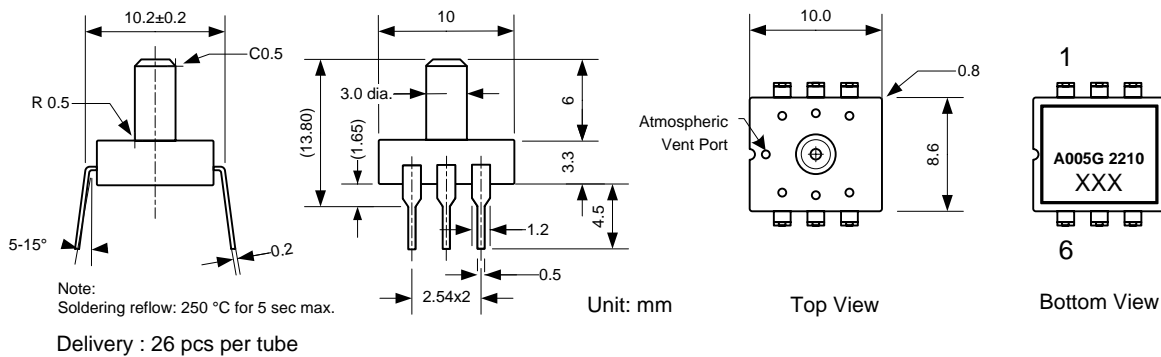
Unless otherwise specified, all parameters are measured at 5V excitation, 25 °C and 60% RH

Parameters	Min	Typ	Max	Unit
Supply Voltage ^{Note 3}	2.7 to 3.3		4.5 to 5.5	Vdc
Supply Current			2.5	mA
Pressure Range ^{Note 4}	0.3		3	psi
Zero Output (Offset)	0.320	0.500	0.680	Vdc
Full Scale Output	4.320	4.500	4.680	Vdc
Output Current of Buffer			2.2	mA
Accuracy ^{NOTE1}			4.5	%FS
Accuracy(Auto-zero) ^{NOTE1}			2.5	%FS
Over Pressure ^{NOTE 5}			3X or 2.5 psi	Rated Pressure
Response Time		1	2	ms
Temp - Compensated	0		50	°C
Temp - Operating	-20		+85	°C
Temp - Storage	-40		+125	°C

Notes:

1. Accuracy includes non-linearity, hysteresis, TCS, TCO inside the compensated temperature range, Best Fit Straight Line definition
2. Wetted material contains RTV, PPA, glass and silicon
3. Specify desired operating voltage range when ordering. Output is Ratiometric to supply Voltage
4. See ordering guide for list of available pressure ranges
5. Whichever is higher

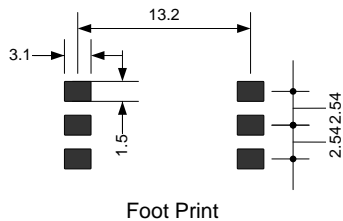
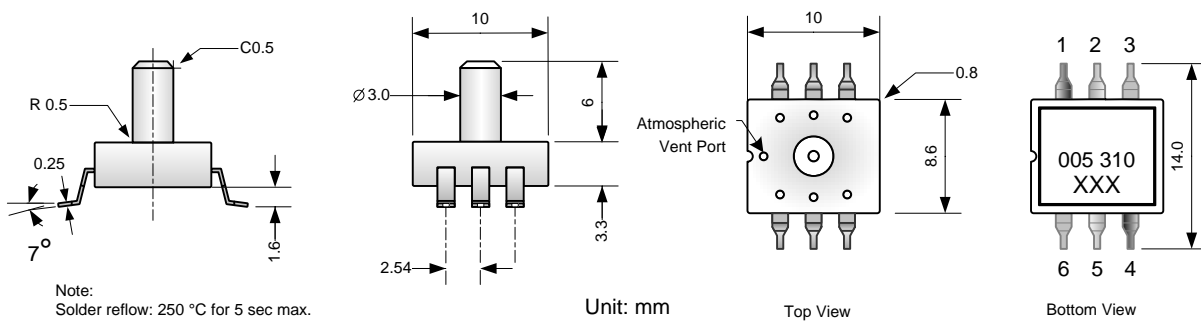
Dimensions



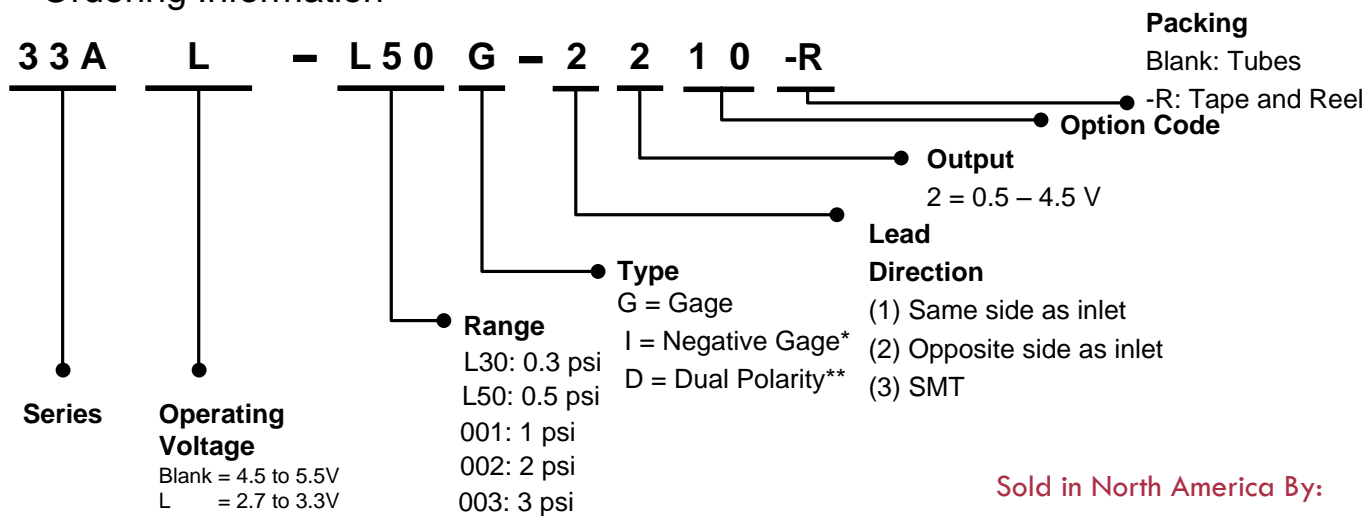
(1)
(2)

Pin #	Description
1	N.C.
2	VDD/N.C.*
3	VSS
4	VDD
5	OUT
6	VSS/N.C.*

NOTE:
Pin 1 must be left floating.
A 0.1uF capacitor must be connected between Vdd and Vss
*For the 2, 3, 5 & 7 psi range, Pins 2 & 4 and Pins 3 & 6 must be shorted. Pins 2 and 6 must be N.C. when using other ranges.



Ordering Information



Sold in North America By:
Servoflo Corporation
 75 Allen Street
 Lexington, MA 02421
 Tel: 781-862-9572

www.servoflo.com / info@servoflo.com

Disclaimer/Warranty/Notice

Sensormate Enterprise Co. Ltd products are not authorized for use in applications where failure could result in loss of life or injury. While Sensormate provides application assistance personally, through our literature and website, it is the responsibility of the customer to determine the suitability of the product for the intended application.

All information provided is believed to be accurate at the time of publishing however Sensormate Enterprise Co. Ltd reserves the right to make changes without prior notice.

Sensormate Enterprise Co.Ltd warrants its products to be free of manufacturing defects for a period of 12 months from the date of purchase. The maximum liability, expressed or implied shall be limited to a direct replacement of those products Sensormate finds defective. The foregoing is the Buyers Sole remedy in lieu of all other warranties, expressed or implied including those of merchantability and fitness for a particular purpose.