

microComponents <sup>m</sup>

# Flow Controlled System – “mpSmart – Dosing”



Sold in North America by:  
Servoflo Corporation  
75 Allen Street Lexington, MA 02421  
Tel: 781-862-9572

[www.servoflo.com/](http://www.servoflo.com/)



Flow Controlled System – ..... 1

“mpSmart - Dosing” ..... 1

General ..... 3

    Declaration of conformity..... 3

    Description of function..... 3

Proper use..... 4

    Intended purpose..... 4

    Misuse..... 4

    Staff selection and qualification. .... 4

    About this operating manual ..... 4

The flow controlled system: mpSmart Dosing ..... 5

Getting started with mpSmart ..... 6

Starting the Evaluation Software ..... 7



## General

This operating manual contains all necessary instructions for the installation, commissioning, operation and maintenance of the evaluation board mpSmart controller. The manual is intended to help you achieving optimal results in a short time and shall assist avoiding possible sources of errors. The operating manual of the micropumps and other controllers are available separately.

The products have been designed with state-of-the-art technology and in accordance with all relevant safety regulations. However, a risk of damage to the units, other property, the operator and/or other persons cannot be fully excluded.

Always ensure that specialized and trained personnel will comply with the following general instructions.

Therefore, please keep this manual and hand out copies as required.

Bartels Mikrotechnik GmbH rejects any responsibility for damages to persons or property resulting from non-compliance with the instructions in this manual. In this case all warranties shall be void.

### Declaration of conformity.

Bartels Mikrotechnik GmbH declares that the products are compliant to the RoHS directive 2011/65/EU. The controller comply with the requirements of EMV 2014/30/EU and CE markings have been affixed to the devices. Additionally, the controllers are also compliant to the EU Low Voltage Directive 2014/35/EU.

### Description of function.

The mpSmart have been developed for the transport of liquids. The controller has been developed for operating the micropump. Bartels Mikrotechnik can assume no liability for damages resulting from the pump media. This applies especially for hazardous fluids.

The pump must be operated with Bartels Mikrotechnik electronics. Bartels Mikrotechnik GmbH cannot guarantee the proper work of the units with customer specific electronics. If other controllers than the ones from Bartels Mikrotechnik are used, Bartels Mikrotechnik disclaims any warranty.

Moreover, please note that components of the controller and pump are operating with high-voltage. Therefore, persons wearing pacemakers are recommended to avoid the operating system.

Bartels Mikrotechnik assumes no liability for abnormal handling, improper or negligent use of the micropump and the controller that is not conform to the specified purpose of the system. This applies especially for micropump controllers, components and systems of other manufacturers, which have not been certified by Bartels Mikrotechnik.

We guarantee that the micropumps comply with the actual state of scientific and technical knowledge and due to this, the operational risks are limited to a minimum.

Do not open the housing of the micropump and the controllers. In those cases, Bartels Mikrotechnik cannot issue a guaranty anymore. Please keep this manual safe and give a copy to all users.



## Proper use

### Intended purpose.

The micropump is intended for pumping liquids with varying flow rates controlled by the electronics. The controllers are intended for operating the micropumps. Any other use of the micropump or controller unit is deemed improper.

Do not make any modifications or extensions to the pump or controller without the prior written consent of the manufacturer. Such modifications may impair the safety of the unit and are prohibited! Bartels Mikrotechnik GmbH rejects any responsibility for damage to the unit caused by unauthorized modifications to the pump and risk and liability are automatically transferred to the operator.

### Misuse.

The use of liquids, which may alone or in combination create explosive or otherwise health-endangering conditions (including vapors) is not permitted.

### Staff selection and qualification.

All work in connection with the installation, assembly, commissioning/decommissioning, disassembly, operation, servicing, cleaning and repairing of the pump and the controller must be carried out by qualified, suitably trained and instructed personnel. Work on electrical components and assemblies must be carried out by personnel with the necessary qualifications and skills.

### About this operating manual.

Warnings and important notes are clearly identified as such in the text. The relevant text sections feature a specific sign. However, this icon cannot replace the safety instructions. Therefore, carefully read all safety instructions in this manual. Warnings and important notes in this text are highlighted as shown below, according to the severity of the damage that might result from non-compliance.

 **DANGER**

DANGER indicates a hazard with a high level of RISK THAT, if not avoided, will result in death or serious injury.



## The flow controlled system: mpSmart – Dosing

<p>This Flow Control System is a smart module for precise and regulated dosing of liquids. An on board Arduino reads out a flowmeter made by Sensirion, comparing it to a target value and operates the mp6 micropump corresponding to a PID-regulator. The attached PC-software can be used to monitor, control and log the flowrate.</p>	
Components	mp6-hyb micropump Damper Flowmeter (Sensirion SLF3S-1300F) Tubing Tubing connectors (Swivel Barb Adapter, 1/16" ID Tubing) Driver Board Software with GUI mp-hc
min. Flowrate	0.5 ml/min
max. Flowrate	8 ml/min
accuracy	<±5%
software calibration	Water
USB-port	one
input voltage	5V
operating temperature	+5°C bis +45°C
material in contact with fluid	PPSU, FKM, PP, PPS, stainless steel, Tygon, epoxy – based adhesive
lifetime	5000 h
self-priming	yes
dimensions (electronic board)	80x60x18 mm <sup>3</sup>
weight (electronic board)	38 g
power consumption (maximum/stand by)	365 mW/232 mW
power supply	Via USB; 5 V
pumping media	Liquid (water)

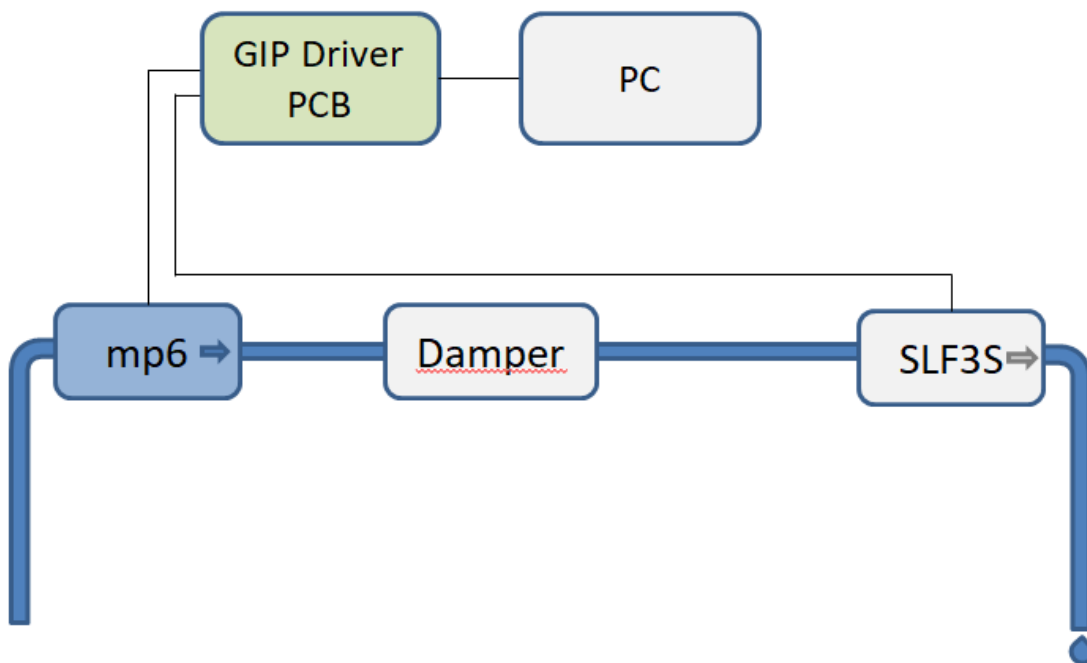


## Getting started with mpSmart – Dosing

The mpSmart includes 3 main components:

A mp6 micropump, a damper and a SFL3S1300F flowrate sensor.

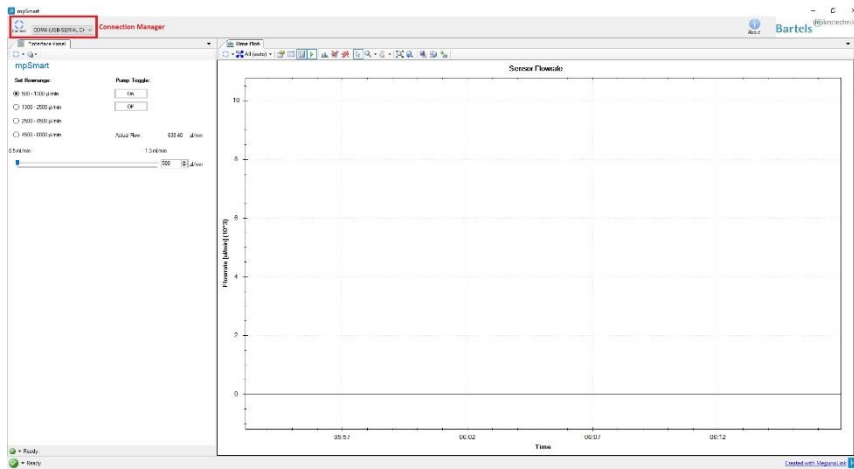
For the fluid channel, connect them as shown in the following figure. Use tubes with an inner diameter 1.3 mm for mp6 in- and outlets as well as for the damper. The SFL3S-1300F requires tube connectors on both sides which are included in the mpSmart (UP D-646; Swivel Barb Adapter, 1/16" ID Tubing). As for the tube lengths between mp6 & damper or damper & SFL3S-1300F we recommend at least 50 mm.



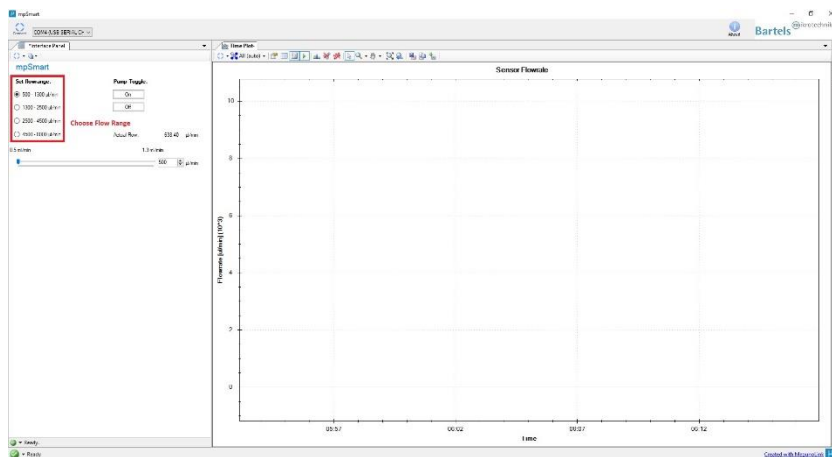
For the wiring, use the included cable to connect the mp6 and SFL3s-1300 to the Driver PCB and the USB cable to connect the Arduino on the Driver PCB with your PC.

## Starting the Evaluation Software

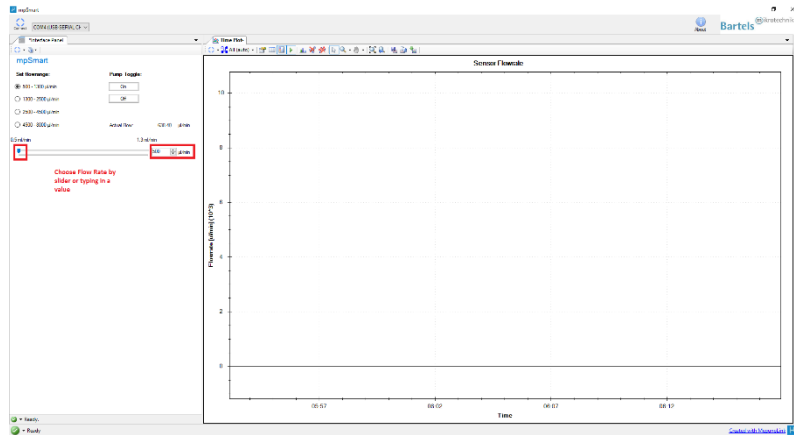
After installing the included software execute the mpSmart.exe to start it up. The **Connection Manager** can be found in the **top left corner**. Make sure the USB cable is plugged in and the device is recognized and choose the right COM-Port. When selected click on „**Connect**“ to start the communication between the program and the driver. If the device was not found you might need to install the driver for the Arduino nano microcontroller manually.



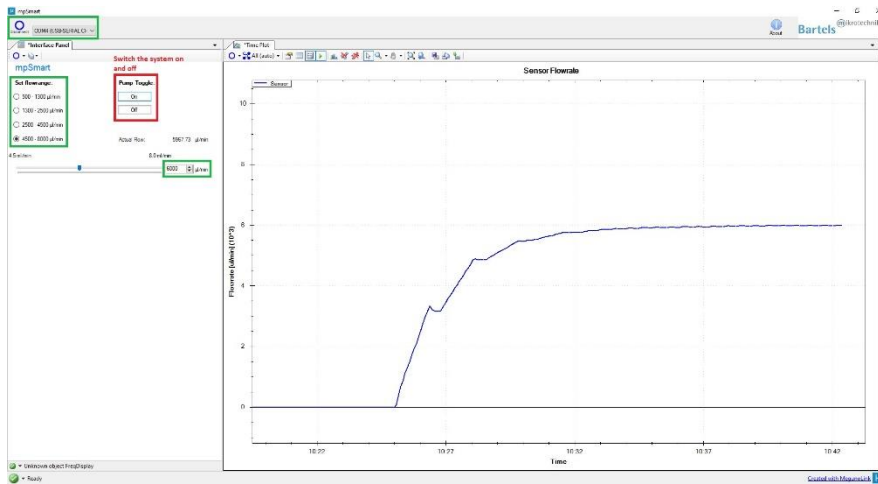
To start your mpSmart all you need to do is to choose one of the four flowrate ranges, e.g. 4500 – 8000 µl/min.



The exact flowrate can be set by the the slider underneath or the text field next to it.



Afterwards the mp6 can be started or stopped with the on or off button. The current flowrate is displayed underneath or as a time plot on the right of the Evaluation software.





**Contact Data:**

Bartels Mikrotechnik GmbH  
Konrad-Adenauer-Allee 11  
44263 Dortmund Germany  
[www.bartels-mikrotechnik.de](http://www.bartels-mikrotechnik.de)  
[info@bartels-mikrotechnik.de](mailto:info@bartels-mikrotechnik.de)  
Tel: +49-231-47730-500  
Fax: +49-231-47730-501

Sold in North America by:  
Servoflo Corporation  
75 Allen Street Lexington, MA 02421  
Tel: 781-862-9572  
[www.servoflo.com /](http://www.servoflo.com/)

**Visit our Website**

[www.bartels-mikrotechnik.de/produkte/downloads](http://www.bartels-mikrotechnik.de/produkte/downloads)

for further information on applications.

Tutorials and helpful answers to frequently asked questions can be found in our FAQ

<http://blog.bartels-mikrotechnik.de>

[www.bartels-mikrotechnik.de/produkte/faq](http://www.bartels-mikrotechnik.de/produkte/faq)

or on our YouTube channel

<https://www.youtube.com/user/BartelsMikrotechnik>

Find us on Social Media:

