

Micro Gear Liquid Pump

Overview : High Flow and High Pressure Self Priming Pump

The MGB800S-PK-V pump delivers consistent flow with high or low pressure. It is suitable for a wide variety of liquids and chemicals and is self-priming. Flow is reversible. The body is constructed from precision CNC machined aluminium alloy and wetted parts are stainless steel, PEEK and ertalyte and it powered by a standard 12v DC motor. The pump has two 1/8th BSP threaded inlet/outlet ports that will accept a wide variety of tubing connectors. As standard the pump comes supplied with 2 x 4mm OD push fit tubing connectors.

The MGB800S-PK-V

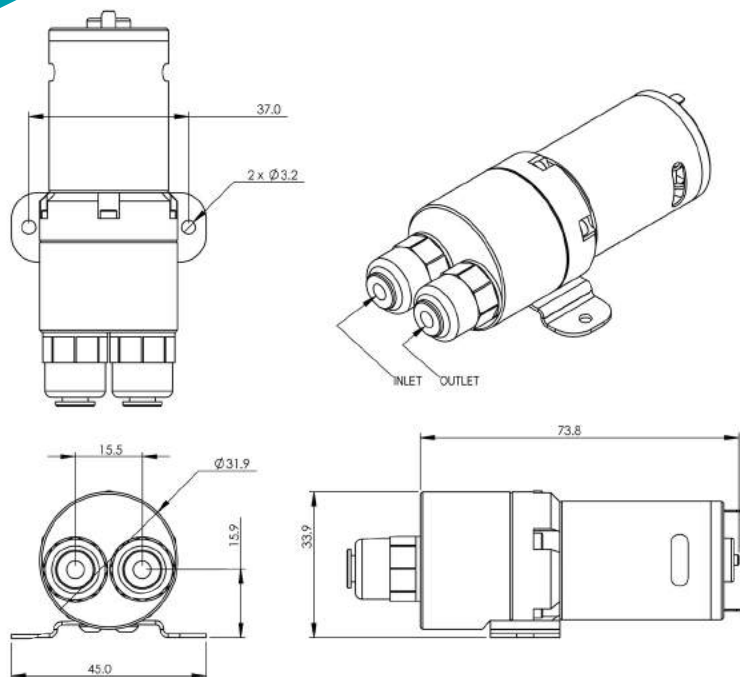


Typical Applications

- Medical devices
- Fuel Cells
- High Pressure Fuel Pump
- Cooling Systems
- Precision Flow
- Lubrication systems
- Security devices

Features

- High pressure capability
- Self-priming
- High and low viscosity liquids
- Smooth almost pulseless flow
- Reversible flow
- CNC aluminium alloy construction
- Small size only 32 x 32 x 74 mm
- Weight 132g



Materials

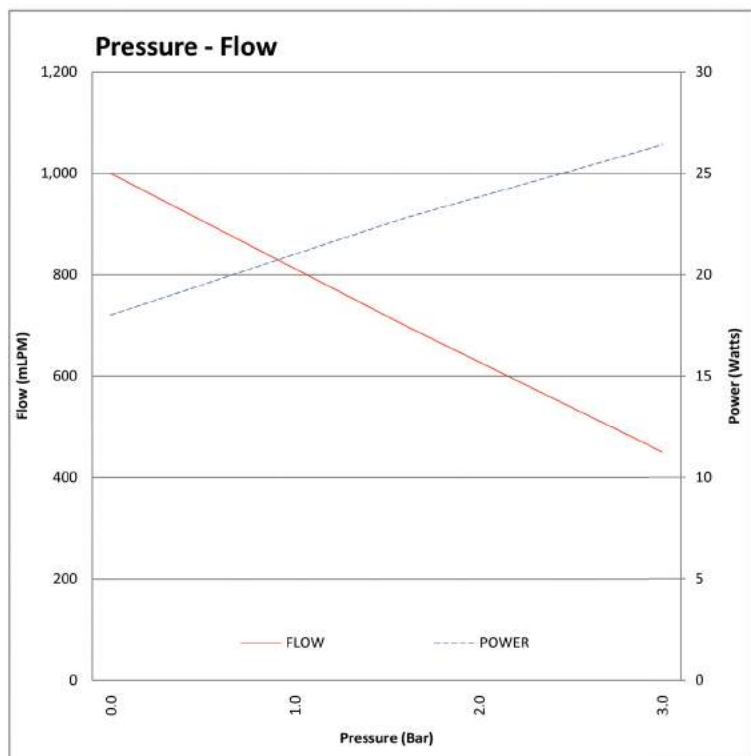
Wetted Parts

- Anodised 6000 Series Aluminum
- 316 Stainless Steel
- Viton
- PEEK
- Ertalyte

Performance Data

- Small Size 32 x 32 x 74mm
- Weight 132 g
- Operating Temp -20 to 100 deg C
- Smooth Pulseless Flow
- IP Rating - Standard pumps IP21
- Noise Levels 15dB

Measured at a distance of 1m with a 50dB ambient noise level



LIQUID

MODEL	Input (v)	Power (W)	Flow (mLpm)	Pressure (Bar)
MGB800S-PK-V	12	27	1000	3.0

Pressure shown is the not to exceed value. All MG pump variants are capable of more than the indicated figure but exceeding this may result in damage to the pump.