

# MDM492 Differential Pressure Transmitter

Sold in North America by:  
 Servoflo Corporation  
 75 Allen Street Lexington, MA 02421  
 Tel: 781-862-9572  
[www.servoflo.com](http://www.servoflo.com) / [info@servoflo.com](mailto:info@servoflo.com)



## Features

- Lower pressure measurement;
- Compact size, easy installation;
- The gas or non-conductive liquid measurement;

## Introduction

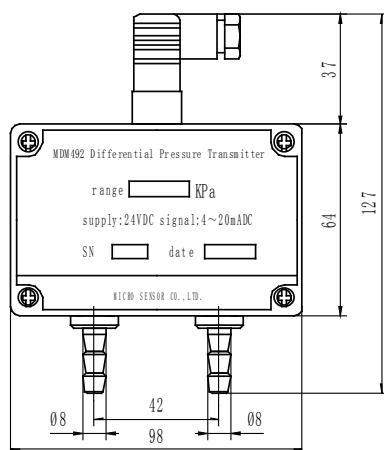
MDM492 differential pressure transmitter is used to measuring lower pressure range. It uses high performance sensor and amplifier circuit outputting 4~20mA current signal. The whole product is stable and reliable, can be used for lower pressure measure of boiler, vintage, engine and so on.

## Specification

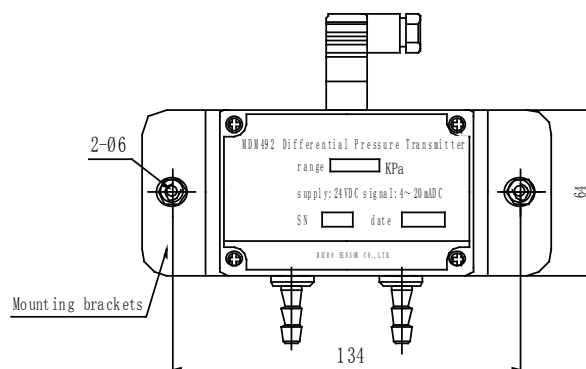
Pressure range	0~1kPa	0~2.5kPa	0~7kPa
Overpressure	3kPa	7.5kPa	21kPa
Limited pressure	5kPa	12.5kPa	35kPa
Static pressure	300kPa	300kPa	300kPa
Accuracy	≤1%FS		
Long-term stability	≤10Pa/year    ≤25Pa/year    ≤70Pa/year		
Zero temp.drift	≤±0.05kPa	≤±0.125kPa	≤±0.4kPa(0~70°C , @25°C)
FS temp.drift	≤±0.02kPa	≤±0.05kPa	≤±0.14kPa(0~70°C , @25°C)
Media temp.	-10°C ~85°C		
Storage temp.	-40°C ~125°C		
Compensation temp.	0°C ~70°C		
Relative humidity	0~80%		
Power supply	15~30VDC		
Output signal	4~20mADC		
Pressure port	Stainless steel 1Cr18Ni9Ti		
Electrical housing	Aluminum-alloy		

Note: Other pressure range not been included in above range could be achieved by enlarging or shrinking standard pressure range (overpressure unavailable), but at this situation, accuracy and stability would have some loss.

## Outline Construction (Unit: mm)

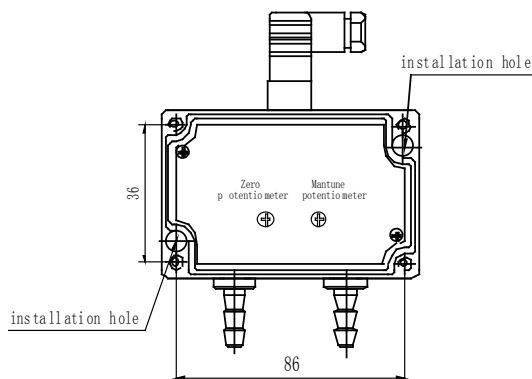
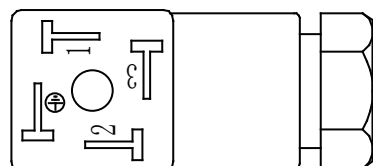


## Application Example



## Electrical Connection

Wiring	Plug
+V	Pin 1
0V/OUT	Pin 2



## Order Guide

MDM492		Differential Pressure Transmitter	
	Code	Pressure range: kPa	
	[0~X]kPa	0~1...7kPa X=actual measure range	
	Code	Output signal	
	E	4~20mADC	
MDM492	[0~2.5]kPa	E	the whole spec

## Notes

If the user has special requirement, please feel free to contact our company.