

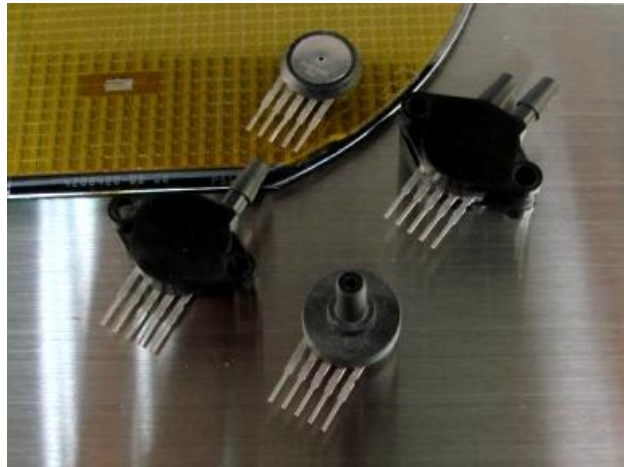
Solid State Pressure Sensor

DIGITAL
OUTPUT

MAP Series – Model 36D Low Pressure

FEATURES

- Low Cost Sensor Element
- Calibrated Span and Offset
- Multi-order Temperature Compensation
- 0.3 PSI to 3 PSI
- Gage and Differential Pressures Available



DESCRIPTION

The MAP 36A Series is a smart pressure sensor with an amplified analog output. Compensation of sensor offset, sensitivity, temperature drift and nonlinearity is accomplished in the factory via the latest ASIC technology with calibration coefficients stored in an on-chip EEPROM.

A variety of output configurations, including resolution, sampling rate and voltage levels are available to provide a simple and ready-to-use solution for a wide range of applications. The low voltage version operates from 2.7 to 3.3V while the regular version operates from 4.5 to 5.5V.

The MAP Series including Models 36D and 36A, are available for pressure ranges from 0.3 psi to 100 psi. Custom ranges and calibrations are available. Please contact the factory for details.

Sold in North America By:
Servoflo Corporation
75 Allen Street
Lexington, MA 02421
Tel: 781-862-9572

www.servoflo.com / info@servoflo.com

Characteristics

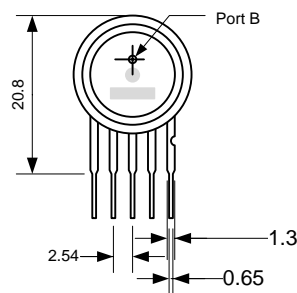
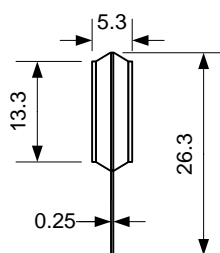
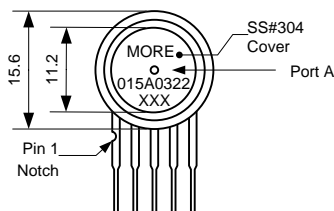
Unless otherwise specified, all parameters are measured at 60% RH, 25 °C and 5 Vdc excitation

Parameters	Min	Typ	Max	Unit
Supply Voltage ^{NOTE 1}	2.7 to 3.3		4.5 to 5.5	Vdc
Supply Current			2.5	mA
Pressure range ^{Note 5}	0.3		3.0	psi
Resolution		14		Bit
Accuracy ^{NOTE 3}		±4.5		%FS, +1 LSB
Zero Output		0666		Hex
Full Scale Output		3996		Hex
Warmup Time ^{NOTE 4}		1	2	sec
Start-Up Time			10	ms
Sampling Rate		1000		Hz
Temp - Compensated	0		50	°C
Temp - Operating	-20		+85	°C
Temp - Storage	-40		+125	°C
Over Pressure ^{Note 6}			3x or 2.5 psi	FS

Notes:

1. Specify desired operating voltage range when ordering. Output is ratiometric to supply voltage
2. Wetted materials contain PPA, Silicone gel (Port A) and PPA, RTV, glass and silicon (Port B)
3. Accuracy includes non-linearity, hysteresis, TCS and TCO inside the compensated temperature range, best fit straight line definition
4. Zero fluctuation below 0.15%
5. See ordering guide for list of available pressure ranges
6. Whichever is higher

Dimensions Button (No Port)



Delivery : 15 pcs per tray

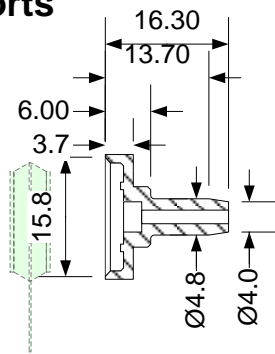
Notes:

1. Port B is used for positive differential
2. Port A is used for absolute
3. Port B is used for gage
4. All dimensions are in mm
5. Soldering leads max. 250 °C 5s

Pin #	Description
1	N.C.
2	Vdd.
3	Output
4	Vss
5	N.C.

NOTE:
N.C. pins must be left floating
A 0.1uF capacitor must be connected between VDD and VSS

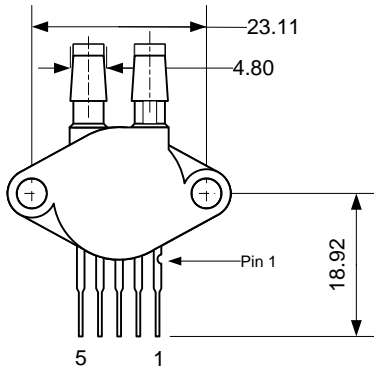
Opposing Ports



Port Options 1,3,5: Either one or both Vertical Port add-ons

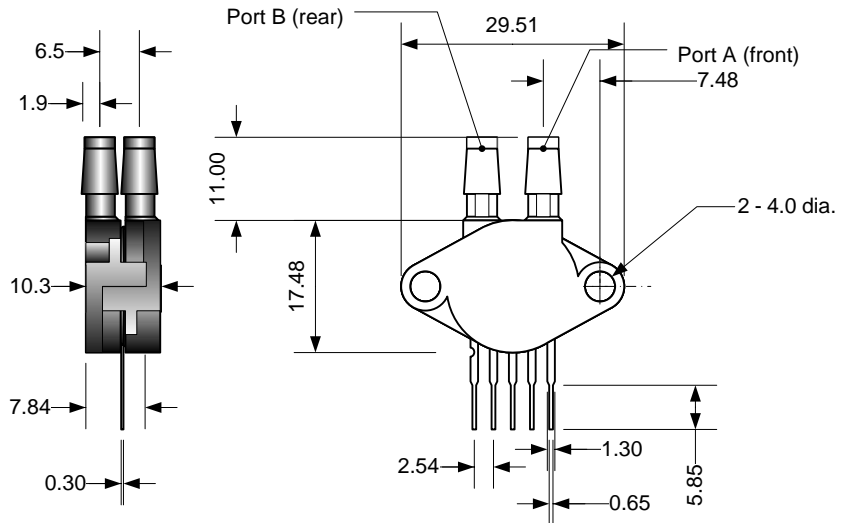
Delivery : 15 pcs per tray

Parallel Ports



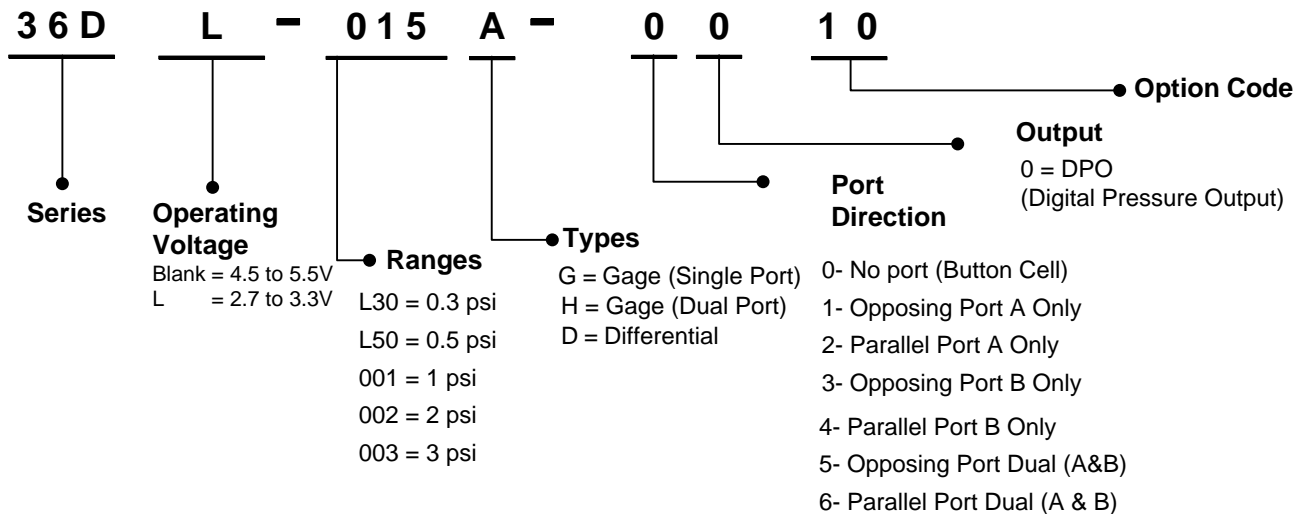
Port Options 2,4,6: Either one or both Horizontal Port add-ons

Delivery : 10 pcs per tray



All dimensions in mm

Ordering Information



Note:

- 1) To specify single ended differential pressure (one side is always more +ve than the other) specify gage pressure with Dual port configuration (pressure type H). The device can be used for differential pressure by simply connecting the reference port (Port B) to the reference pressure instead of atmosphere.
- 2) Specifying Differential pressure means: -xxx psi to +xxx psi where xxx is the specified pressure. Maximum Differential pressure is +/- 30 psi.
- 3) Custom outputs and pressure ranges available. Please contact us with your requirement.

Disclaimer/Warranty/Notice

Sensormate Enterprise Co. Ltd products are not authorized for use in applications where failure could result in loss of life or injury. While Sensormate provides application assistance personally, through our literature and website, it is the responsibility of the customer to determine the suitability of the product for the intended application.

All information provided is believed to be accurate at the time of publishing however Sensormate Enterprise Co. Ltd reserves the right to make changes without prior notice.

Sensormate Enterprise Co.Ltd warrants its products to be free of manufacturing defects for a period of 12 months from the date of purchase. The maximum liability, expressed or implied shall be limited to a direct replacement of those products Sensormate finds defective. The foregoing is the Buyers Sole remedy in lieu of all other warranties, expressed or implied including those of merchantability and fitness for a particular purpose.

The rest of this page has been left intentionally blank

Sold in North America By:

Servoflo Corporation

75 Allen Street

Lexington, MA 02421

Tel: 781-862-9572

www.servoflo.com / info@servoflo.com



10, Industries E. Rd. III, Lukang,
Chang Hua, Taiwan 50544
Tel: +8864 7811839 Fax: +8864 7811837
www.smate.com.tw

Ver 2.0 26-Dec-16

4/4