

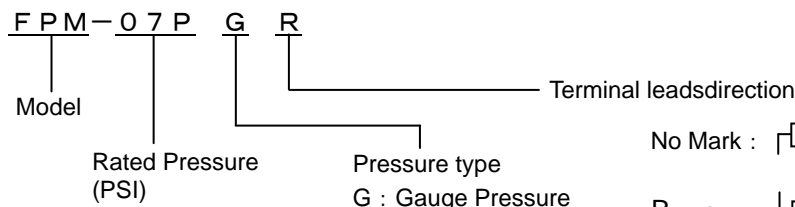
## ■ Features

Dual-in-line package (DIP)

## ■ Applications

- Industrial instrumentation
- Pressure switch, Pneumatic device
- Medical device

## ■ Ordering Information



RoHS compliance

Measurable pressure range(kPa)	Part number	
-13.79~13.79	FPM-02PG	FPM-02PGR
-34.47~34.47	FPM-05PG	FPM-05PGR
-48.26~48.26	FPM-07PG	FPM-07PGR
-98.07~103.4	FPM-15PG	FPM-15PGR
-98.07~206.8	FPM-30PG	FPM-30PGR
-98.07~344.7	FPM-50PG	FPM-50PGR
-98.07~482.6	FPM-70PG	FPM-70PGR
-98.07~827.4	FPM-120PG	FPM-120PGR

## ■ Specifications

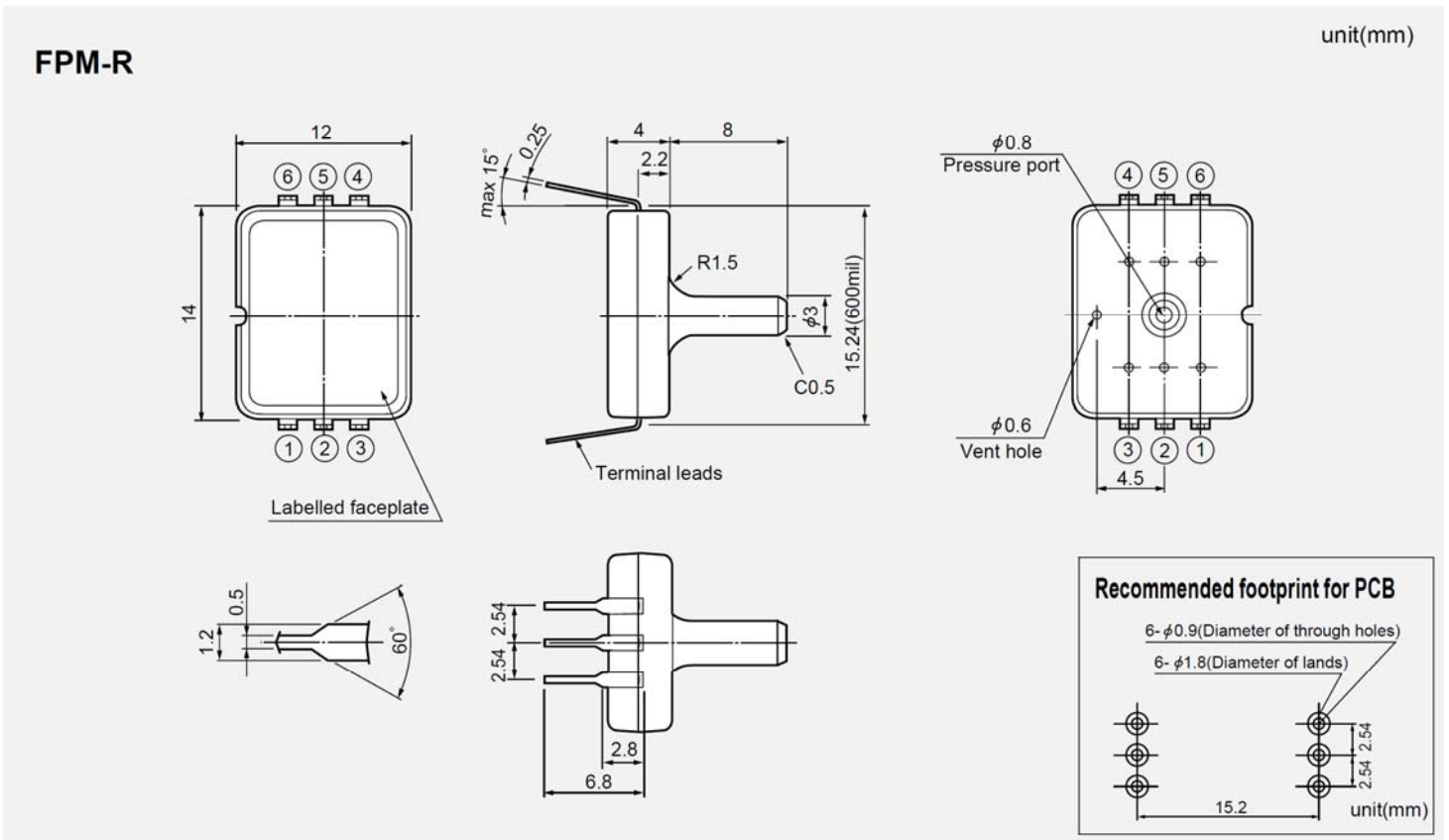
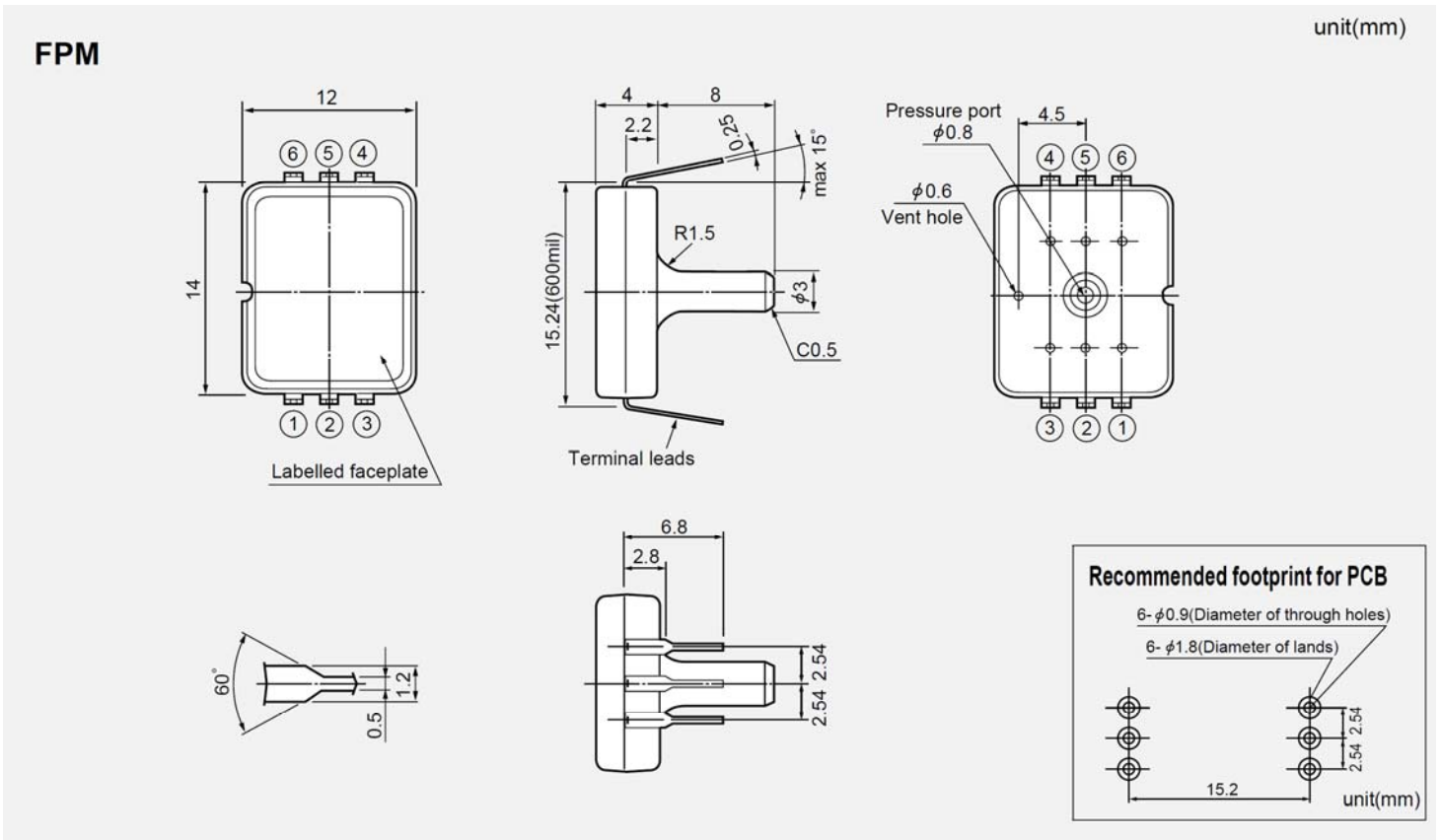
Model	02PG	05PG	07PG	15PG	30PG	50PG	70PG	120PG	Unit	
<b>Recommended operating conditions</b>										
Pressure type	Gauge pressure								—	
Rated pressure	13.79	34.47	48.26	103.4	206.8	344.7	482.6	827.4	kPa	
Measurable pressure range	-13.79 ~13.79	-34.47 ~34.47	-48.26 ~48.26	-98.07 ~103.4	-98.07~ 206.8	-98.07~ 344.7	-98.07~ 482.6	-98.07~ 827.4	kPa	
Temperature range	0~50								°C	
Pressure media	Non-corrosive gases only (No liquid)								—	
Excitation current (Constant)	1.5								mADC	
<b>Absolute maximum rating</b>										
Maximum load pressure	Twice of rated pressure							1.5 times of rating pressure	—	
Maximum excitation current	3.0								mADC	
Operating temperature	-20~100								°C	
Storage temperature	-40~120								°C	
Operating humidity	30~80 (Non dew condition)								%RH	
<b>Electric characteristics (Drive Current 1.5mA constant, ambient temperature Ta=25°C)</b>										
Output span voltage	60~140 (at 0kPa~rated pressure)								mV	
Offset voltage	±20 (at 0kPa)								mV	
Bridge resistance	4000~6000								Ω	
Response time	2 (for the reference)								msec	
Accuracy	TSO*								±5	%FS/
	TCS*								2.5	0~50°C
	Linearity	±0.5	±0.3				±0.5	±0.6	%FS	
	Pressure hysteresis	±0.4	±0.2				±0.4		%FS	

\*TSO: Temperature sensitivity of offset voltage

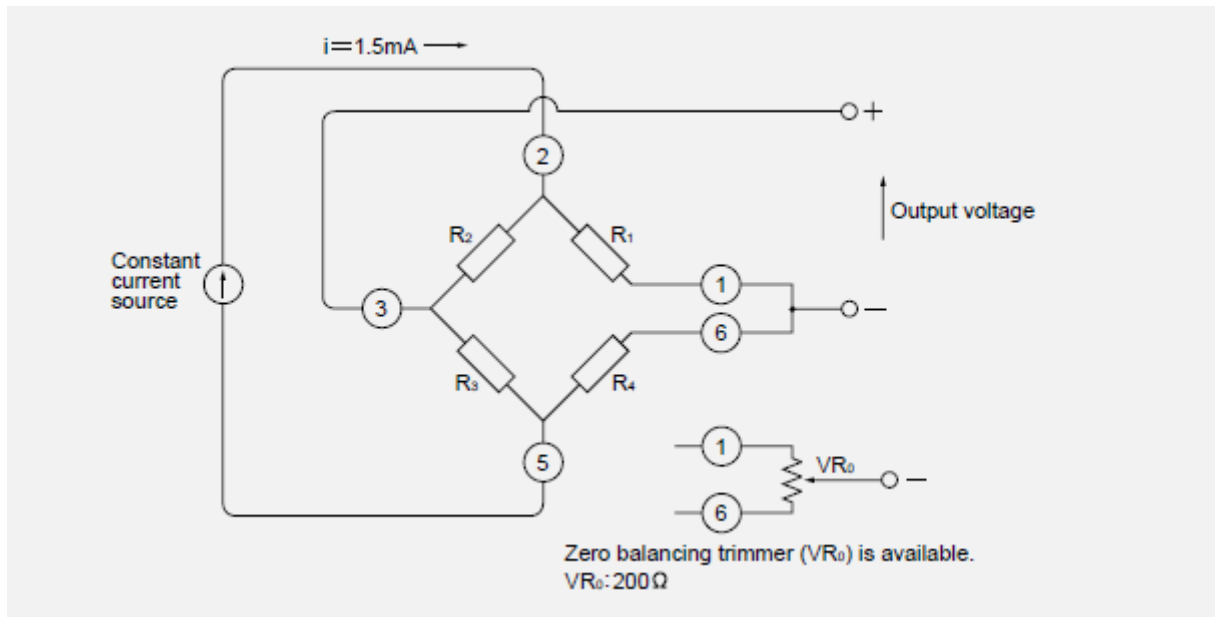
\*TCS: Temperature coefficient of output span voltage

\*Temperature range from 0-50 deg C

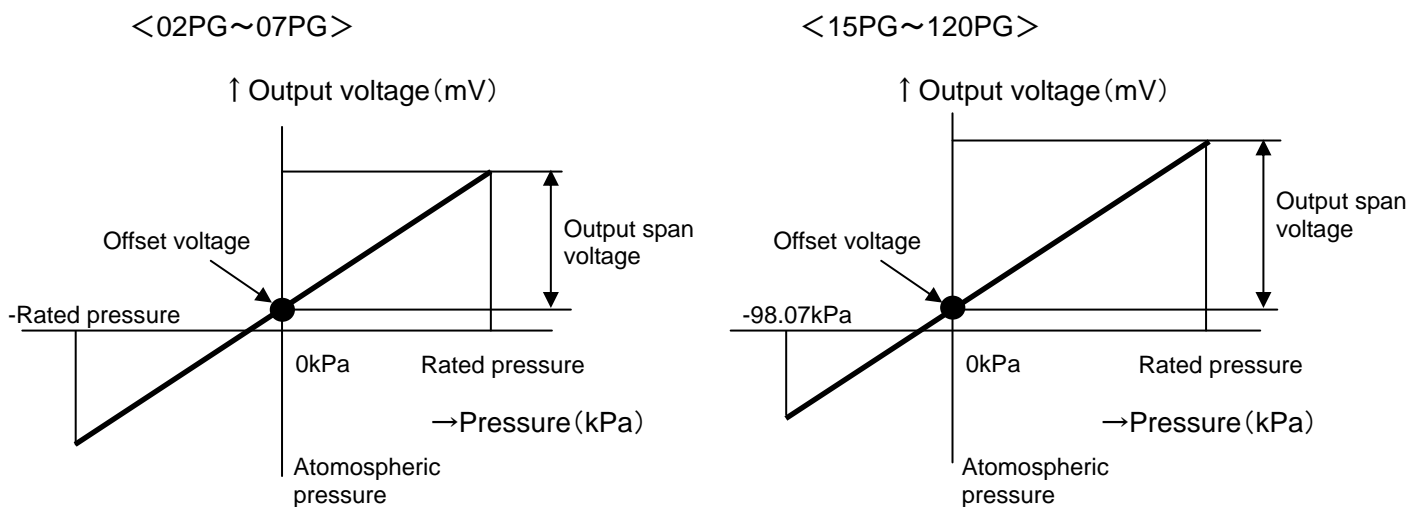
■ Outline dimensions ■



### ■ Connection diagram ■



### ■ Output characteristics ■



Note ; Please read instruction "Notes" before using the sensor.  
 Fujikura reserves the right to change specifications without notice.

Please keep the sensors sealed using static shielding bags on storage. The pins of the sensor are plated by Ag. If the sensors expose to an atmosphere, the pins will be black by sulfuration.

Please set Zero-calibration function up your products. The offset voltage may be shifted some mechanical stress such as mounting, installation and etc. over longtime using.

If you have any questions regarding technical issues or specifications, please contact us.  
 Sensor Engineering Department 5-1 Kiba 1-chome, Koto-ku, Tokyo 135-8512, Japan  
 Phone +81-(0)3-5606-1072  
 E-mail : [sensor@fujikura.co.jp](mailto:sensor@fujikura.co.jp)