

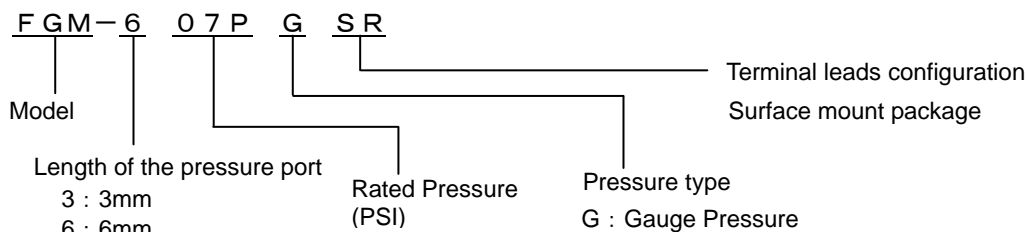
■ Features

Surface mount package

■ Applications

- Industrial instrumentation
- Pressure switch, Pneumatic device
- Medical device

■ Ordering Information



	Weight (grams)		Weight (grams)
	0.3		0.35

Measurable pressure range(kPa)	Part number	
	3mm pressure port	6mm pressure port
-13.79~13.79	FGM-302PGSR	FGM-602PGSR
-34.47~34.47	FGM-305PGSR	FGM-605PGSR
-48.26~48.26	FGM-307PGSR	FGM-607PGSR
-98.07~103.4	FGM-315PGSR	FGM-615PGSR
-98.07~206.8	FGM-330PGSR	FGM-630PGSR
-98.07~344.7	FGM-350PGSR	FGM-650PGSR
-98.07~482.6	FGM-370PGSR	FGM-670PGSR
-98.07~827.4	FGM-3120PGSR	FGM-6120PGSR

**RoHS compliance**

■ Specifications

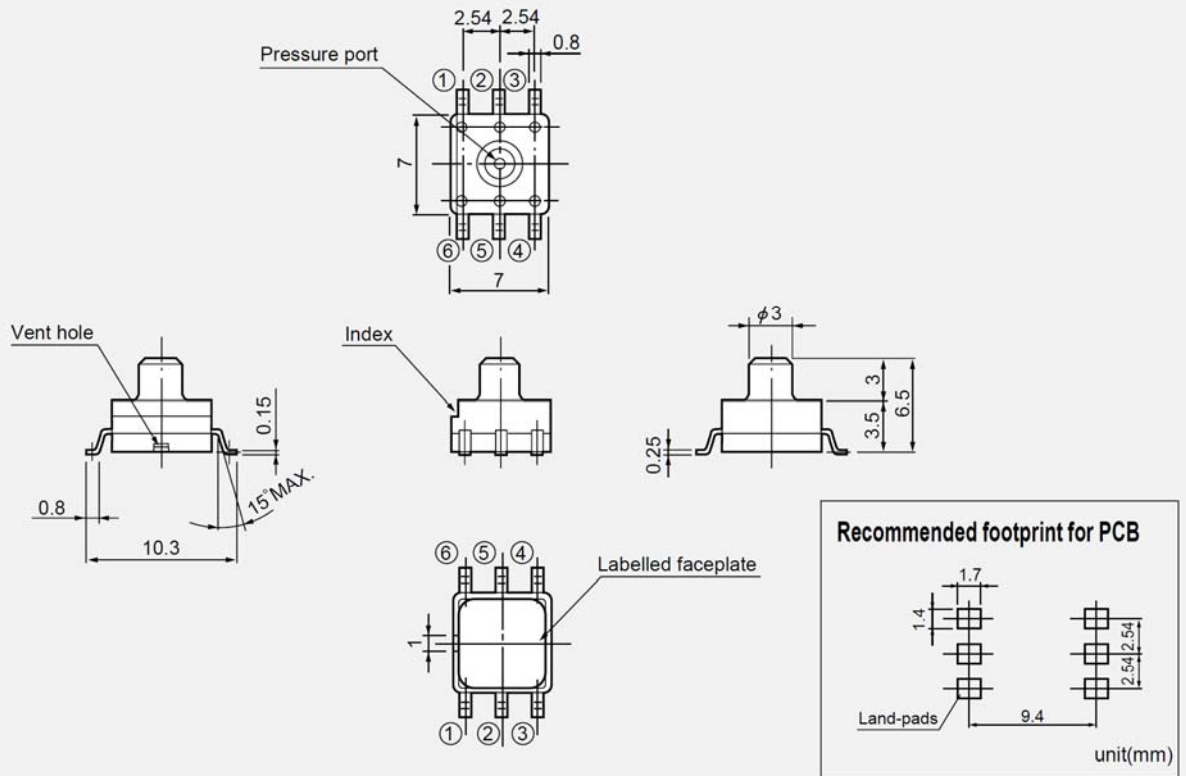
Model	02PG	05PG	07PG	15PG	30PG	50PG	70PG	120PG	Unit
<b>Recommended operating conditions</b>									
Pressure type	Gauge pressure								-
Rated pressure	13.79	34.47	48.26	103.4	206.8	344.7	482.6	827.4	kPa
Measurable pressure range	-13.79 ~13.79	-34.47 ~34.47	-48.26 ~48.26	-98.07 ~103.4	-98.07~ 206.8	-98.07~ 344.7	-98.07~ 482.6	-98.07~ 827.4	kPa
Temperature range	0~50								°C
Pressure media	Non-corrosive gases only (No liquid)								-
Excitation current (Constant)	1.5								mADC
<b>Absolute maximum rating</b>									
Maximum load pressure	Twice of rated pressure							1.5 times of rating pressure	-
Maximum excitation current	3.0								mADC
Operating temperature	-20~100								°C
Storage temperature	-40~120								°C
Operating humidity	30~80 (Non dew condition)								%RH
<b>Electric characteristics (Drive Current 1.5mA constant, ambient temperature Ta=25°C)</b>									
Output span voltage	60~140 (at 0kPa~rated pressure)								mV
Offset voltage	±20 (at 0kPa)								mV
Bridge resistance	4000~6000								Ω
Response time	2 (for the reference)								msec
Accuracy	TSO*								%FS/ 0~50°C
	TCS*								
	Linearity								%FS
	Pressure hysteresis								%FS

\*TSO: Temperature sensitivity of offset voltage  
 \*TCS: Temperature coefficient of output span voltage  
 \*Temperature range from 0-50 deg C

■ Outline dimensions ■

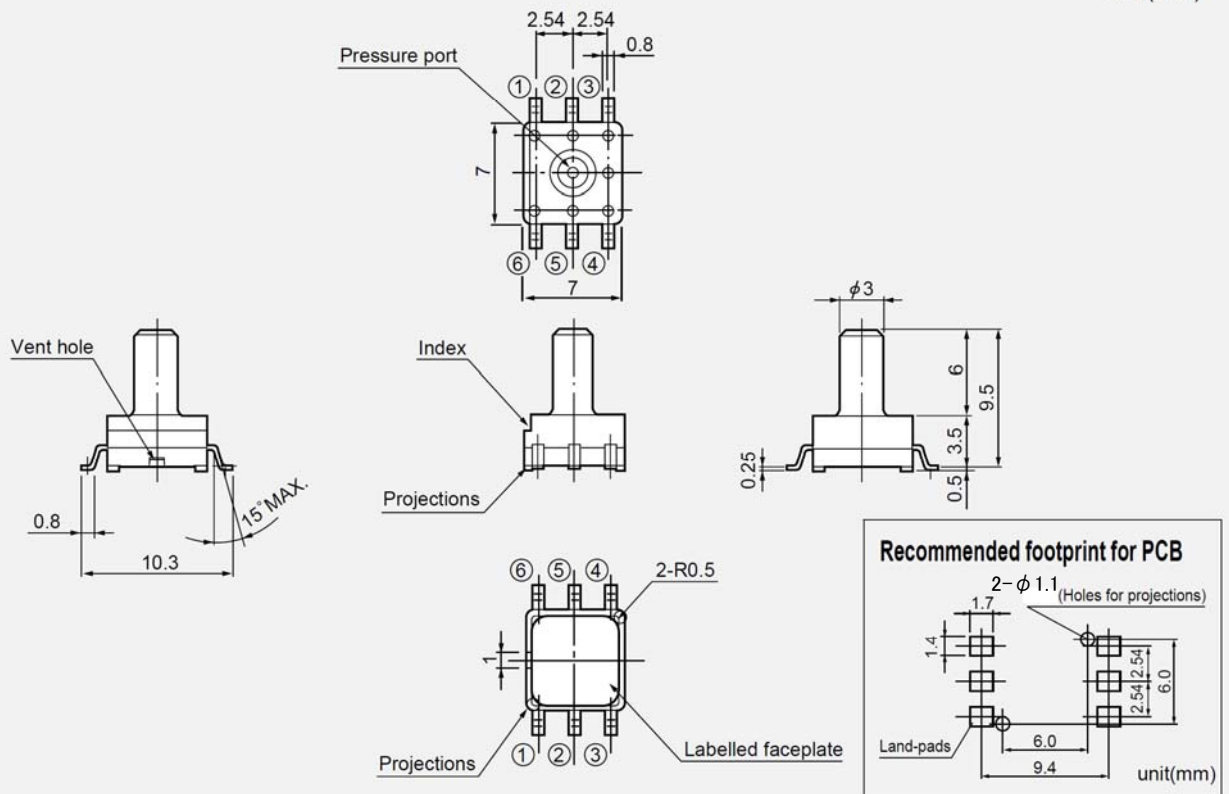
FGM-3

unit(mm)

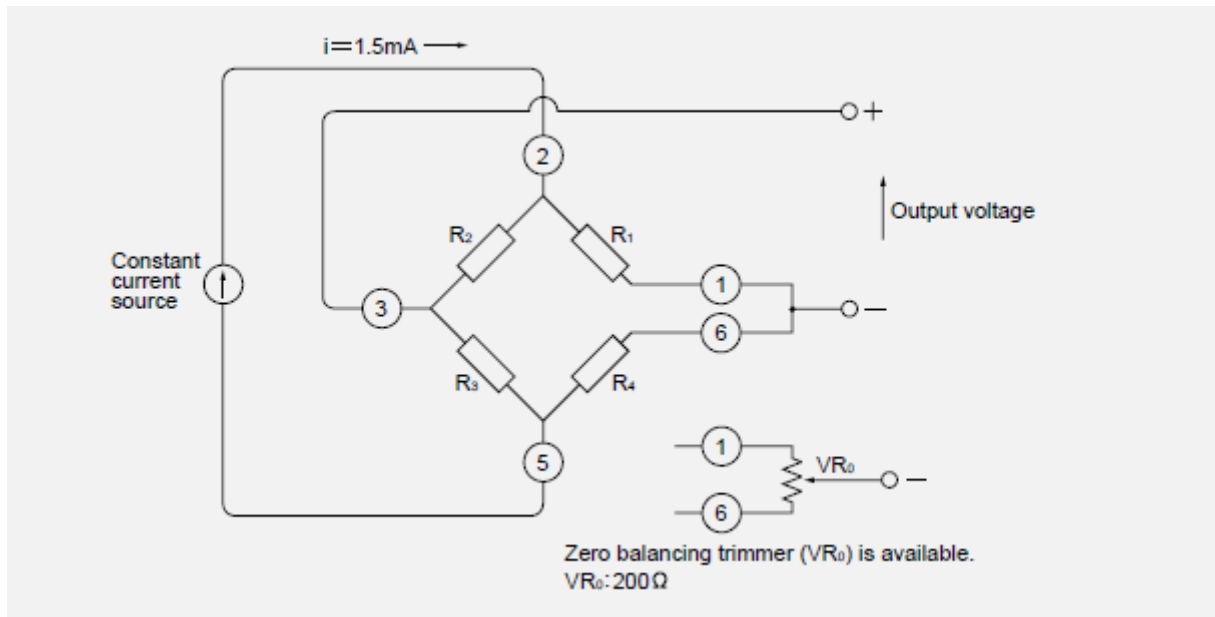


FGM-6

unit(mm)



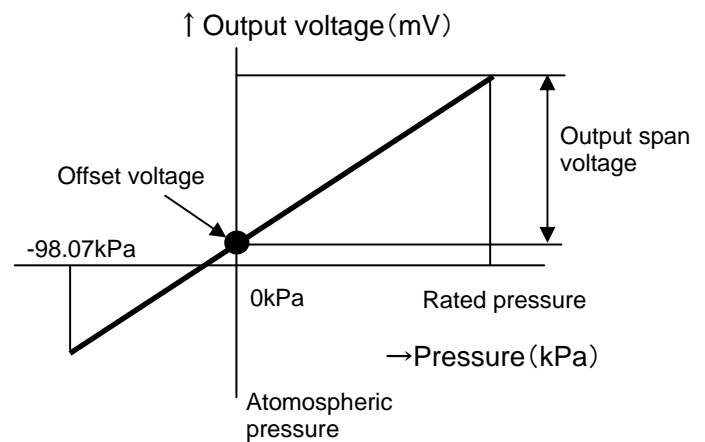
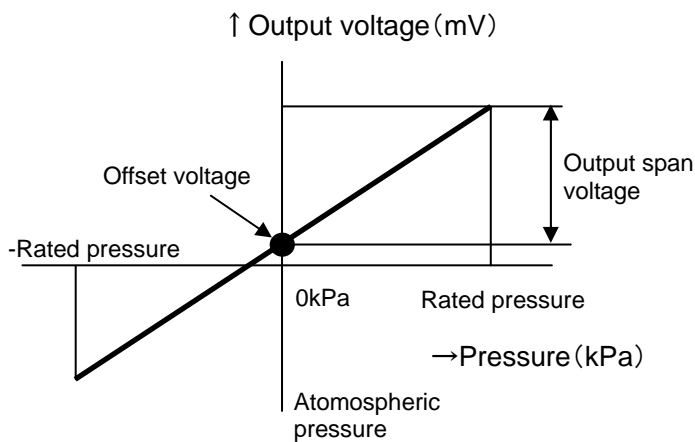
### ■ Connection diagram ■



### ■ Output characteristics ■

<302PG~307PG>  
 <602PG~607PG>

<315PG~3120PG>  
 <615PG~6120PG>

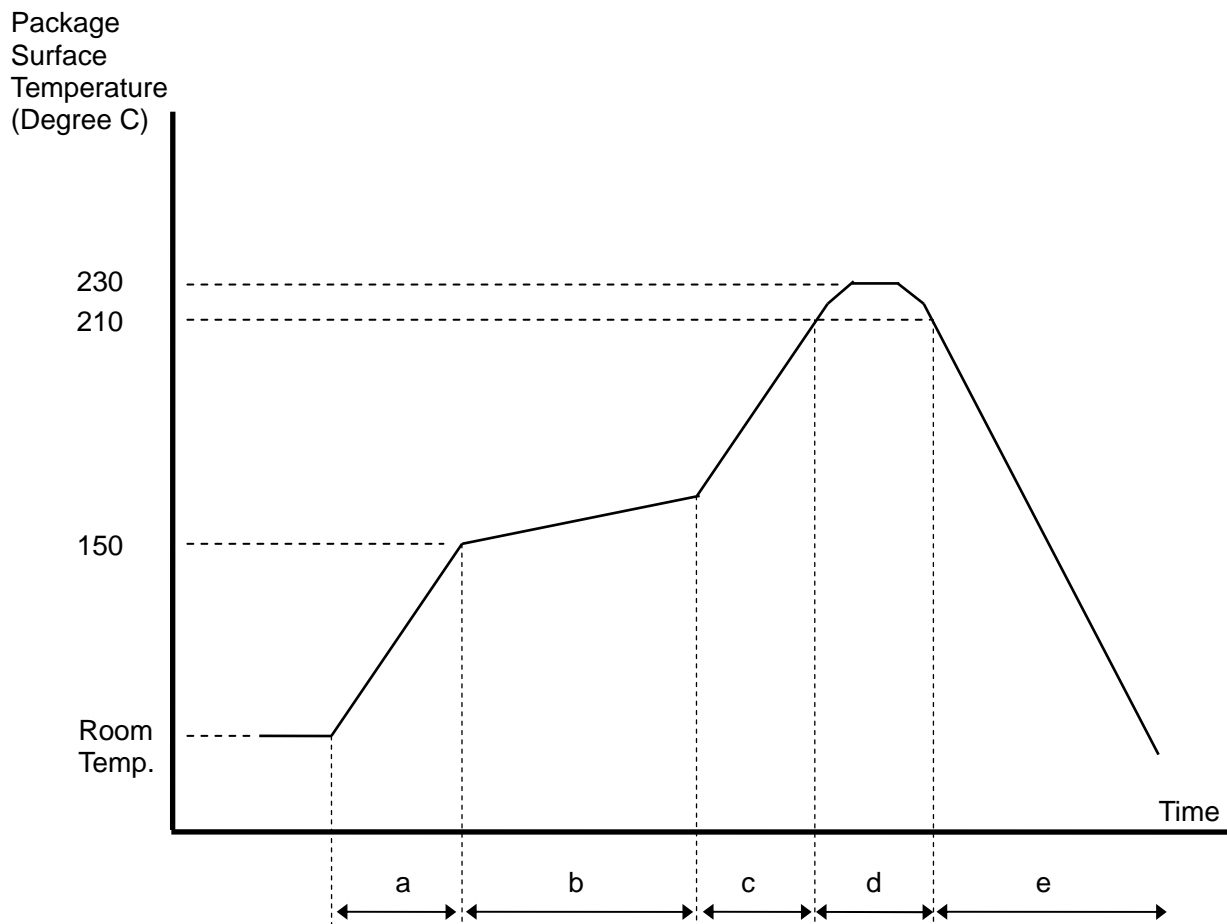


Note ; Please read instruction "Notes" before using the sensor.  
 Fujikura reserves the right to change specifications without notice.

Please keep the sensors sealed using static shielding bags on storage. The pins of the sensor are plated by Ag. If the sensors expose to an atmosphere, the pins will be black by sulfuration.

Please set Zero-calibration function up your products. The offset voltage may be shifted some mechanical stress such as mounting, installation and etc. over longtime using.

## Reflow Soldering process recommendation profile



a: Ramp up rate	1 or 2 degree C/sec.
b: Pre-heating	150°C~180°C within 60~120sec.
c: Ramp up rate	1 to 2 degree C/sec.
d: Heating	max.230 degree C,max.10sec. 210 degree C,within 30sec.
e: Ramp down rate	1 or 2 degree C/sec.

- Note ;
- 1 ) Temperature means Surface temperature of the sensor package.
  - 2 ) Reflow process max. 2 times.
  - 3 ) Do not wash the sensor.
  - 4 ) Do not put the solder and flux on the sensor package.

If you have any questions regarding technical issues or specifications, please contact us.  
 Sensor Engineering Department 5-1 Kiba 1-chome, Koto-ku, Tokyo 135-8512, Japan  
 Phone +81-(0)3-5606-1072  
 E-mail : [sensor@fujikura.co.jp](mailto:sensor@fujikura.co.jp)