

MODEL: ASI 40HP High Pressure Transducer



PERFORMANCE @ 25°C (77°F)

Pressure Range 0 to 10,000 Thru 0 to 60,000PSI
 Proof Pressure 1.25X Pressure Range
 Burst Pressure 2.0X Pressure Range or 65,000PSI Max

	Output	Accuracy	Excitation	ZERO AT 70°F	FSO AT 70°F
Non-Amplified	10mV/V (2500 OHM Typ. 350 OHM available)	±0.25% FSO Typ.	10VDC	±1% FSO Typ.	±1% FSO Typ.
Amplified	4-20mA	±0.1% FSO Typ. ±0.05% Optional	9-32 VDC, 5VDC	±0.5% FSO Typ.	±0.5% FSO Typ.
	0-5VDC				
	0-10VDC				
	RS-485				
	MODBUS				
	CANBUS				
	I2C				
USB					

ASI 40HP with pressure range up to 60000 PSI (4000 BAR) is designed for demanding applications that require high accuracy and long life.

It offers flexible wetted materials and electrical outputs for many high pressure applications.

* Accuracy includes non-linearity, hysteresis & non-repeatability
 ** 10VDC, Maximum

PHYSICAL DESCRIPTION

Wetted Materials 17-4PH / 316L Stainless Steel (20KSI Max) / Inconel 718
 Electrical Connections Bendix 6 Pin, Cable, M12-4P
 Pressure Port F250C Female

APPLICATIONS:

- Waterjet Cutting
- High Pressure Hydraulics
- Test Stands
- Oil & Gas

ENVIRONMENTAL DATA

Operating Temperature -40 to 200°F (-40 to 90°C)
 Thermal Limits
 Compensated Range 32°F to 180°F (-1 to 80°C)
 Zero TC (non-amplified) ±1.0% FSO/100°F
 (amplified) ±0.5% FSO/100°F, ±0.25% optional
 Span TC (non-amplified) ±1.0% FSO/100°F
 (amplified) ±0.5% FSO/100°F, ±0.25% optional

BENEFITS:

- Multiple Wetted Materials
- High Operating Temperature
- Analog and Digital Outputs

ORDERING INFORMATION

ASI 40HP **O** **W** **10000** **P** **C** **Y** **1** **000**
Series Type

Pressure Reference
 O=Sealed Gauge

Process Connection
 W=F250C

Pressure Measurement
 Insert pressure code from chart

Pressure Unit
 P=PSI

Outputs
 2=0-5V
 4=4-20mA
 5=0-10V (3-WIRE)
 7=CANBUS
 C=RS485
 D=MODBUS
 S=I2C

Electrical
 B=Bendix 6 pins
 Q=1m Cable
 R=2m Cable
 Y=M12x1-4P
 X=Special

Wetted Material
 0=17-4PH
 1=316L
 2=Inconel 718

Options
 000=No Options

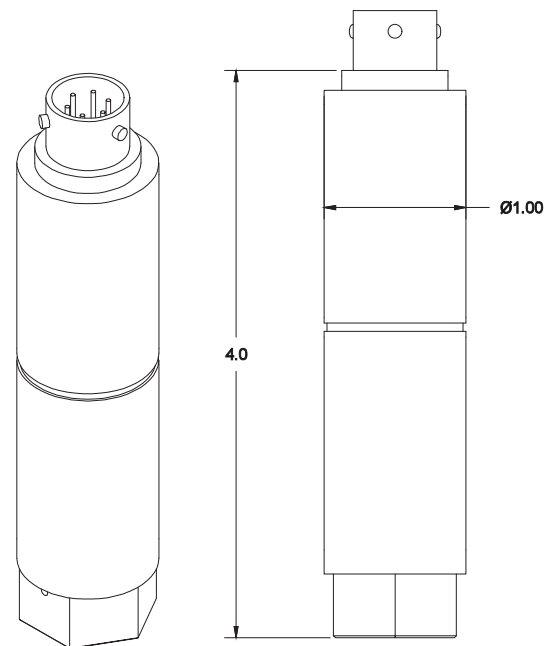
PRESSURE RANGES

PSIG	Pressure Code
0-10,000	10000
0-15,000	15000
0-20,000	20000
0-25,000	25000
0-30,000	30000
0-40,000	40000
0-50,000	50000
0-60,000	60000

All Pressure between 0 to 10,000 thru 0 to 60,000PSI available.

DIMENSIONAL DRAWING

Dimension in inches [mm]



WIRING CONFIGURATION

mV/V	4-20 mA	VDC, 3 WIRE	VDC, 4 WIRE NON-ISOLATED	VDC, 4 WIRE ISOLATED
+ EXCITATION (R)	+ EXCITATION (R)	+ EXCITATION (R)	+ EXCITATION (R)	+ EXCITATION (R)
+ OUTPUT (G)	- EXC/OUTPUT (B)	- EXC/COM (B)	+ OUTPUT (G)	+ OUTPUT (G)
- OUTPUT (W)	NO CONNECT	+ OUTPUT (W)	- OUTPUT(W)*	- OUTPUT (W)
- EXCITATION (B)	NO CONNECT	NO CONNECT	- EXCITATION (B)*	- EXCITATION (B)

*COMMONS JUMPERED

** PARENTHESES() REPRESENT COLORS FOR CABLE OPTION. (R) = RED, (B) = BLACK, (G) = GREEN, (W) = WHITE

***CUSTOM PINOUTS AVAILABLE. SHUNTS AND TEMPERATURE PINS MAY BE USED WITH ADDITIONAL COLORS

All specifications are for reference purposes only. In the interests of continuous product improvement, all specifications are subject to change without notice. Please contact ASI 40HP for assistance with your application.

Standard configurations shown.
 Please consult factory for other options.