



AMERICAN SENSING INC.

Model 2035 Aerospace Grade Application Specific Differential Sensor



Model 2035 is a highly customizable aerospace grade differential pressure transducer. ASI proprietary sensor design provides little to no shift with line pressure. This model is great for low differential pressure with high line pressure. Monolithic designs available if application allows

Model Specifications & Performance at 70°F

Pressure Ranges Available:	0 to 1 thru 0 to 20,000 psid wet-wet or wet-dry	
Output	Excitation	
0 to 5 Vdc	9 to 32 Vdc	
0.5 to 4.5 Vdc	5 Vdc Regulated	
4 to 20 mA	9 to 32 Vdc	
0 to 10 Vdc	14 to 32 Vdc	
Accuracy*	<±0.1% FSO typ., ±0.05% FSO optional	
Proof Pressure	3X Range, dependant on port and material 4X range optional	
Burst Pressure	5.0X Range, dependant on port and material	
Line Pressure	6,000 psi max (wet-dry) 20,000 psi max (wet-wet)	
Zero Offset	±0.5% FSO	
Span Tolerance	±0.5% FSO	
Response Time	<2 ms typ.	
* Accuracy includes linearity(BFSL), hysteresis and repeatability		

Physical Description

Wetted material	17-4PH, Inc 718, Monel K500, 316L , Hast.
Internal Fill	No oil Fill
Electrical Connection	PTIH-10-6P standard, D38999/27YA35PN, Cable, options available

Environmental Data

Temperature	
Compensated Range	-40 to 180°F standard with ±1 FSO/100°F thermal effect ±0.25 FSO/100°F optional
Operating Range	-65 to 250°F optional -65 to 250°F

Applications

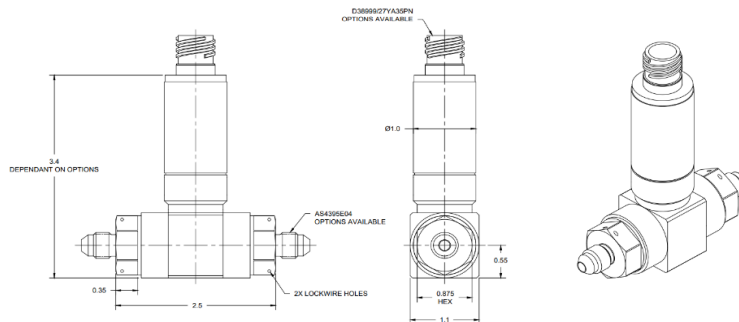
Aviation and suborbital spacecraft
Commercial and military satellites
Ground and engine testing
Test stand

Benefits

No oil Fill
Monolithic design for 25 psi and above
High line pressure
No positional sensitivity

Other

Shock 100G, 11mS, half sine
Vibration 20Grms, 20 to 2000 Hz



AMERICAN SENSING AMHERST, NY 14228 CAGE CODE: 8RPR4	REV	Configuration Control	Document Name	Sheet	
	-	1	DS2035	1	of 2
The information contained herein is proprietary to American Sensing Inc. and shall not be reproduced or disclosed in whole or in part or used in any way except when user possesses direct, written authorization from American Sensing Inc. All specifications contained herein are for reference only. All information is subject to change without notice.					



AMERICAN SENSING INC.

Ordering Information

2035	D	4	00500	P	5	B	1	Blank
MODEL								
Pressure Reference								
D = Differential								
Process Connection								
A = 1/4 NPT(M)								
F = 7/16-20 UNF-2A								
W = F250C Female								
1 = AS4395E04								
3 = AS5202-04								
4 = AS930-04								
Pressure Measurement								
See Pressure Code Chart, always five digits								
Pressure Unit								
B = bar								
P = psi								
Outputs								
P = 0.5 to 4.5 Vdc Regulated								
2 = 0 to 5 Vdc, 3 wire								
4 = 4 to 20 mA								
5 = 0 to 10 Vdc, 3 wire								
Electrical								
B = Bendix 6 pin, PTIH-10-6P								
T = 2 ft Cable								
2 = D38999/27YA35PN								
Wetted Material								
0 = 17-4PH								
1 = 316L SST								
2 = Inconel 718								
4 = Hastelloy C276								
5 = Monel K500								
Options								
Blank = No options								
001 = Custom Options, See Factory								
'X' in any space = speical								

*for additional options or to create your own, contact ASI

Standard Wiring

Pin	4-20 mA	Vdc 3 Wire	Vdc 4 wire/ mV
1/A	+EXC (R)	+EXC (R)	+EXC (R)
2/B	-EXC/OUT (G)	-EXC/COM(B)	+OUT (G)
3/C	N/C	+OUT(G)	-OUT (W)
4/D	N/C	N/C	-EXC (B)
5/E	N/C	N/C	N/C
6/F	N/C	N/C	N/C

*4 wire is non-isolated, contact factory for 4 wire Vdc isolated. Cutom pinout available. One pin may be for Manf use only

Pressure Code Chart

PSI	Pressure Code	Bar	Pressure Code
0 to 1	00001	0 to 1	00001
0 to 30	00050	0 to 5	00005
0 to 100	00100	0 to 10	00010
0 to 200	00200	0 to 15	00015
0 to 250	00250	0 to 20	00020
0 to 500	00500	0 to 30	00030

* Custom options available

AMERICAN SENSING AMHERST, NY 14228 CAGE CODE: 8RPR4	REV	Configuration Control	Document Name	Sheet	
	-	1	DS2035	2	of 2
<small>The information contained herein is proprietary to American Sensing Inc. and shall not be reproduced or disclosed in whole or in part or used in any way except when user possesses direct, written authorization from American Sensing Inc. All specifications contained herein are for reference only. All information is subject to change without notice.</small>					

Sold in North America by:
Servoflo Corporation
 75 Allen Street
 Lexington, MA 02472
www.servoflo.com/info@servoflo.com
 781-862-9572