

DATE 7 January, 2015No. V-70001A

Distributed by:
Servoflo Corporation
75 Allen Street
Lexington, MA 02421
+1 781 862 9572
info@servoflo.com

Messrs. _____

SPECIFICATION

Semiconductor Pressure Sensor - Standard ProductModel: AP2, AG2 Pressure Sensor

Project: _____

Distributor: _____

Reference: _____



Yoshiyuki Uchiumi, Application Engineer
Sensor Department Fujikura Ltd.

Fujikura Ltd.

Table of Contents

1. General	2
2. Principle	2
3. Device Lineup.....	2
4. RoHS.....	2
5. Block Diagram and Pin Connections.....	3
6. Device Name Code.....	4
7. Absolute Maximum Ratings.....	5
8. General Specifications	5
9. Electrical Characteristics.....	6
10. Output versus Input Pressure.....	8
11. Transfer Function.....	9
12. Device Marking	10
13. Soldering.....	11
14. Dimensions and Weights	11
15. Ordering Information	12
16. Tape & Reel Information	12
17. Footprint for PCB (for Reference).....	13
18. Notes.....	14
Appendix: Dimension Drawing	15
9-772-001 APxxN.....	15
9-772-002 APxxR	16
9-772-003 AGxx3	17
9-772-004 AGxx6.....	18

Table shown below is revision records of this specification

Rev. A	Date	Name	Comment	Mark
Rev. A	7 Jan., 2015	Y. Uchiumi	Added 700kPa(700KG). Layout change and minor edits for clarity.	A
Est.	1 Oct., 2013	Y. Uchiumi		

1. General

This document describes the specifications of Fujikura Pressure Sensors, AP2 and AG2 series.

2. Principle

Fujikura Pressure Sensor is composed of a silicon piezoresistive pressure sensing chip and a signal conditioning integrated circuit. The low-level signal from the sensing chip is amplified, temperature compensated, calibrated, and finally converted to a high-level output signal that is proportional to the applied pressure.

3. Device Lineup

This device has the following lineup.

Model	Pressure Type	Supply Voltage	Accuracy	Pressure Range											
				-100	-50	0	25	50	100	200	500	700	1000	kPa	
				(-15)	(-7)		(3)	(7)	(15)	(30)	(70)	(100)	(150)	psi	
AP2 or AG2	Gauge	5.0 Vdc or 3.3 Vdc	±1.5 %FS												
		3.0 Vdc	±2.0 %FS	Same as the above											

Features

- ✓ Low power consumption
- ✓ High accuracy
- ✓ Pins & Package compatible with XFPM & XFGM integrated pressure sensor
- ✓ Customization available

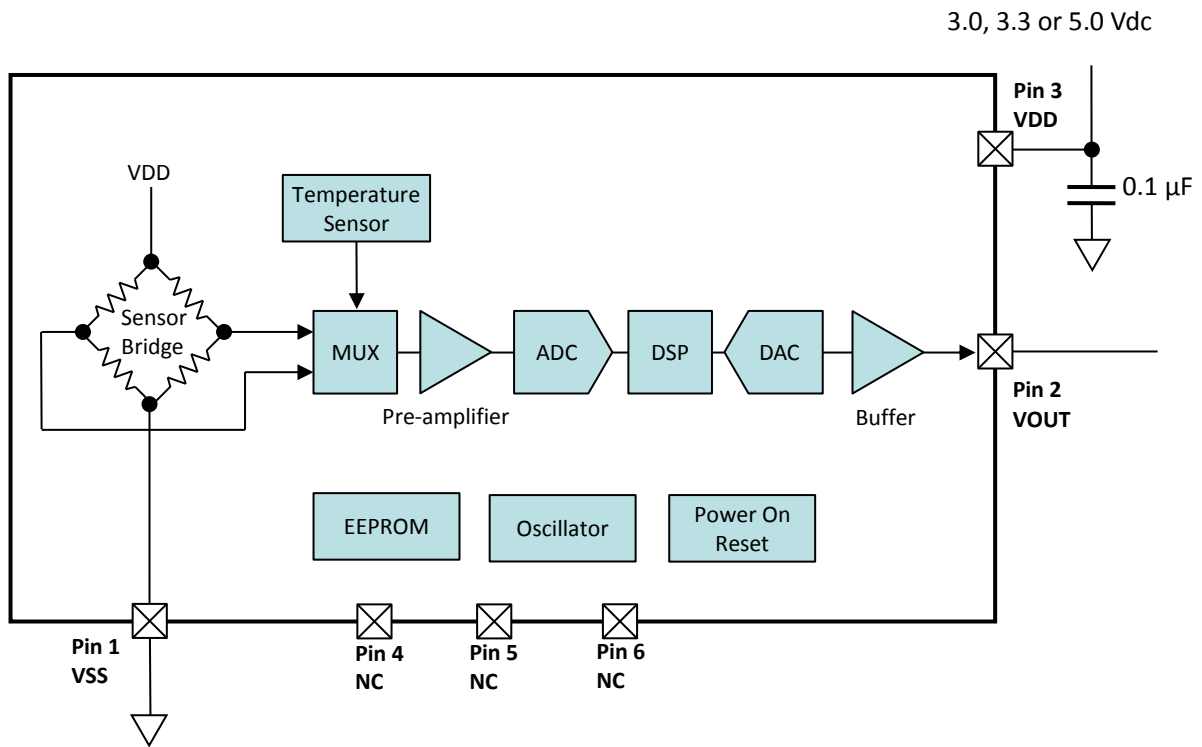
Applications

- ✓ Battery-operated devices
- ✓ Medical devices
- ✓ Industrial pneumatic devices
- ✓ Consumer devices

4. RoHS

This device is compliant with the Restriction of the use of certain Hazardous Substances in Electrical and Electronic Equipment (RoHS).

5. Block Diagram and Pin Connections



Pin Assignment		Pin No.	Pin Name	I/O	Type	Function	
AP2	AG2						
		1	VSS	-	-	Common voltage connection	
		2	VOUT	O	Analog	Analog output	
		3	VDD	-	-	Power supply connection	*1
		4	NC	-	-	-	*2
		5	NC	-	-	-	*2
		6	NC	-	-	-	*2

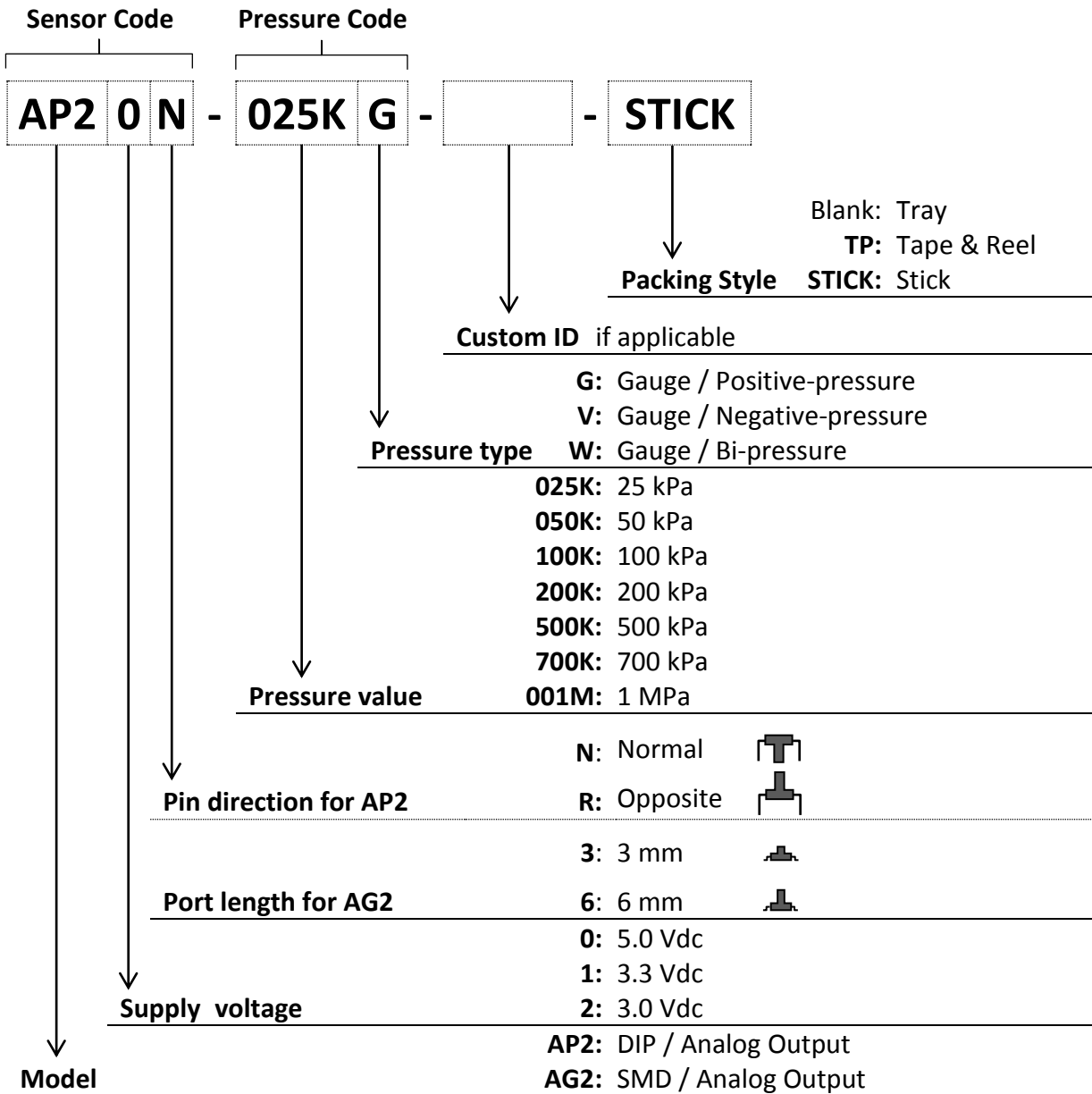
Notes:

*1) Put a 0.1 µF capacitor between Pin 3 (VDD) and VSS

*2) Pin 4, 5 and 6 must be open.

6. Device Name Code

The device name code is consisted of Sensor code, Pressure code, Custom ID and Packing style. For the exact ordering device number, please refer to Chapter 15 Ordering Information.



7. Absolute Maximum Ratings

Item		Symbol	Rating	Unit
Load Pressure	Pressure Code	Pmax+	+50	kPa
			+100	kPa
			+200	kPa
			+400	kPa
			+1	MPa
			+1.4	MPa
			+1.5	MPa
			+100	kPa
			+200	kPa
			+200	kPa
Supply Voltage		VDDmax	6	Vdc
Operating Temperature		Topt	-40 to +125	deg. C
Storage Temperature		Tstg	-40 to +125	deg. C

Note:

*1) Absolute maximum ratings are the limits that the device will withstand without damage.

8. General Specifications

Item	Condition		Symbol	Rating			Unit
				Min.	Typ.	Max.	
Supply Voltage	Sensor Code	AP20x, AG20x	VDD	4.75	5	5.25	Vdc
		AP21x, AG21x		3.135	3.3	3.465	
		AP22x, AG22x		2.85	3.0	3.15	
Type of Pressure			-	Gauge pressure			
Pressure Media			-	Non-corrosive gases			
Pressure Range	Pressure Code	025KG	Popt	0	-	+25	kPa
		050KG		0	-	+50	kPa
		100KG		0	-	+100	kPa
		200KG		0	-	+200	kPa
		500KG		0	-	+500	kPa
		700KG		0	-	+700	kPa
		001MG		0	-	+1	MPa
		050KV		-50	-	0	kPa
		100KV		-100	-	0	kPa
		100KW		-100	-	+100	kPa
Compensated Temperature			-	0	-	+85	deg. C
Operating Humidity	Non-condensing		Hopt	30	-	85	%RH
Storage Humidity	Non-condensing		Hstg	30	-	85	%RH
Dielectric Strength			-	-	-	1	mA
Insulation Resistance			-	100	-	-	MΩ

Notes:

- *1) Output voltage (Vout) is not perfectly ratio-metric with Supply voltage (VDD).
- *2) Gauge pressure is defined as the difference between applied pressure to the pressure port and atmospheric pressure of the device.
- *3) Ensure the pressure media contains no particulates. The device is not compatible with liquids.
- *4) Pressure range is defined as the measurable pressure range of the device. Do not expose intentionally beyond minimum Popt and maximum Popt.
- *5) Please also refer to Chapter 11 Transfer Function.
- *6) Do not wet the device with dew.
- *7) Dielectric strength is defined as the leakage current between all pins and the package with AC 500 V, 1 minute.
- *8) Insulation resistance is defined as the resistance value between all pins and the package with DC 500 V.

9. Electrical Characteristics

Load resistor $R_L = \infty$, Ambient temperature $T_a = 25$ deg. C

Item	Condition	Symbol	Rating			Unit	
			Min.	Typ.	Max.		
Sensor Code: AP20x, AG20x (VDD = 5.0 Vdc)							
Offset Voltage	Min. Popt, 050KV & 100KV: Max. Popt	Voff	0.1325	0.2	0.2675	V	*1, 2
Full Scale Voltage	Max. Popt, 050KV & 100KV: Min. Popt	Vfs	4.6325	4.7	4.7675	V	*3
Span Voltage	Min. to max. Popt	SV	-	4.5	-	V	*4
Accuracy	0 to 85 deg. C	Error	-1.5	-	+1.5	%FS	*5, 6
			-0.0675	-	+0.0675	V	
Output Resolution		Vrso	-	2.5	-	mV	*7
Supply Current		Ic	-	-	3	mAdc	*8
Sensor Code: AP21x, AG21x (VDD = 3.3 Vdc)							
Offset Voltage	Min. Popt, 050KV & 100KV: Max. Popt	Voff	0.2595	0.3	0.3405	V	*1, 2
Full Scale Voltage	Max. Popt, 050KV & 100KV: Min. Popt	Vfs	2.9595	3.0	3.0405	V	*3
Span Voltage	Min. to max. Popt	SV	-	2.7	-	V	*4
Accuracy	0 to 85 deg. C	Error	-1.5	-	+1.5	%FS	*5, 6
			-0.0405	-	+0.0405	V	
Output Resolution		Vrso	-	1.7	-	mV	*7
Supply Current		Ic	-	-	2	mAdc	*8
Sensor Code: AP22x, AG22x (VDD = 3.0 Vdc)							
Offset Voltage	Min. Popt, 050KV & 100KV: Max. Popt	Voff	0.096	0.15	0.204	V	*1, 2
Full Scale Voltage	Max. Popt, 050KV & 100KV: Min. Popt	Vfs	2.796	2.85	2.904	V	*3
Span Voltage	Min. to max. Popt	SV	-	2.7	-	V	*4
Accuracy	0 to 85 deg. C	Error	-2.0	-	+2.0	%FS	*5, 6
			-0.054	-	+0.054	V	
Output Resolution		Vrso	-	1.5	-	mV	*7
Supply Current		Ic	-	-	2	mAdc	*8
Response Time	for reference	tr	-	1	-	msec.	*9
Sampling Frequency		fs	-	1	-	kHz	*10
Load Resistor	VOUT - VSS or VDD - VOUT	RL	2.5	-	-	k Ω	*8
Load Capacitance	VOUT - VSS	CL	-	-	15	nF	*11

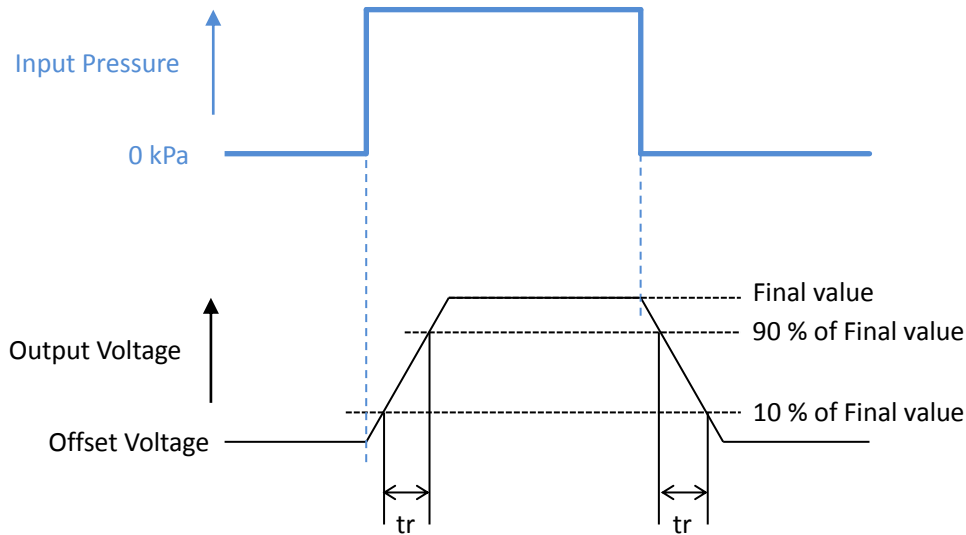
Notes:

- *1) Offset voltage (Voff) is defined as the output voltage at minimum Popt. In case of 050KV and 100KV, Offset voltage (Voff) is defined as the output voltage of maximum Popt.
- *2) Offset error is calibration error of Offset voltage (Voff) at production. It does not include Long term offset drift. It would be suggested that applications have Auto-zeroing function.
- *3) Full scale voltage (Vfs) is defined as the output voltage at maximum Popt. In case of 050KV and 100KV, Full scale voltage (Vfs) is defined as the output voltage of minimum Popt.
- *4) Output span voltage (SV) is defined as the voltage difference between Offset voltage (Voff) and Full scale voltage (Vfs).
- *5) Accuracy consists of the following:
 - Non-linearity
 - Temperature errors over the temperature range 0 to 85 degree C
 - Pressure hysteresis
 - Calibration errors of sensitivity and offset

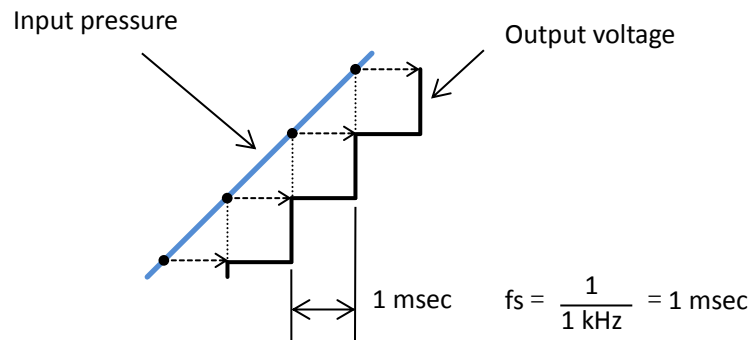
- *6) The unit of Accuracy “%FS” is defined as a percent error by Span voltage (SV).
- *7) Output voltage (Vout) is generated by the internal digital to analog converter. Therefore the output voltage has Output resolution (Vrso). Resolution in pressure is calculated as below:

$$\text{Pressure resolution} = \frac{V_{rso}}{SV} \times \text{Pressure range (Min. to Max.)}$$

- *8) Supply Current (Ic) is increased depending on the value of Load resistor (RL).
- *9) Response time (tr) is defined as the time for the change in Output voltage (Vout) from 10 % to 90 % or from 90 % to 10 % of its final value when the input pressure makes a step change.



- *10) Output voltage (Vout) is sampled and held by the internal sampling / hold block. Sampling frequency (fs) is 1 kHz. The output voltage is changed stepwise every approximately 1millisecond.



- *11) Do not directly connect Load capacitance (CL) that is over 15 nF to VOUT.

10. Output versus Input Pressure

Sensor Code	Pressure Code			
	025KG, 050KG, 100KG, 200KG, 500KG, 700KG, 001MG	050KV, 100KV	100KW	
AP20x AG20x	<p>VDD = 5.0 Vdc Temp. = 0 to 85°C</p> <p>Output vs Input Pressure. Vfs: 4.7 V, Voff: 0.2 V, Error: $\pm 1.5\%FS$, SV: 4.5 V. Min. Popt: 0 kPa, Max. Popt: 0 kPa.</p>	<p>VDD = 5.0 Vdc Temp. = 0 to 85°C</p> <p>Output vs Input Pressure. Vfs: 4.7 V, Voff: 0.2 V, Error: $\pm 1.5\%FS$, SV: 4.5 V. Min. Popt: 0 kPa, Max. Popt: 0 kPa.</p>	<p>VDD = 5.0 Vdc Temp. = 0 to 85°C</p> <p>Output vs Input Pressure. Vfs: 4.7 V, Voff: 0.2 V, Error: $\pm 1.5\%FS$, SV: 4.5 V. Min. Popt: 0 kPa, Max. Popt: 0 kPa.</p>	
	AP21x AG21x	<p>VDD = 3.3 Vdc Temp. = 0 to 85°C</p> <p>Output vs Input Pressure. Vfs: 3.0 V, Voff: 0.3 V, Error: $\pm 1.5\%FS$, SV: 2.7 V. Min. Popt: 0 kPa, Max. Popt: 0 kPa.</p>	<p>VDD = 3.3 Vdc Temp. = 0 to 85°C</p> <p>Output vs Input Pressure. Vfs: 3.0 V, Voff: 0.3 V, Error: $\pm 1.5\%FS$, SV: 2.7 V. Min. Popt: 0 kPa, Max. Popt: 0 kPa.</p>	<p>VDD = 3.3 Vdc Temp. = 0 to 85°C</p> <p>Output vs Input Pressure. Vfs: 3.0 V, Voff: 0.3 V, Error: $\pm 1.5\%FS$, SV: 2.7 V. Min. Popt: 0 kPa, Max. Popt: 0 kPa.</p>
		AP22x AG22x	<p>VDD = 3.0 Vdc Temp. = 0 to 85°C</p> <p>Output vs Input Pressure. Vfs: 2.85 V, Voff: 0.15 V, Error: $\pm 2.0\%FS$, SV: 2.7 V. Min. Popt: 0 kPa, Max. Popt: 0 kPa.</p>	<p>VDD = 3.0 Vdc Temp. = 0 to 85°C</p> <p>Output vs Input Pressure. Vfs: 2.85 V, Voff: 0.15 V, Error: $\pm 2.0\%FS$, SV: 2.7 V. Min. Popt: 0 kPa, Max. Popt: 0 kPa.</p>

11. Transfer Function

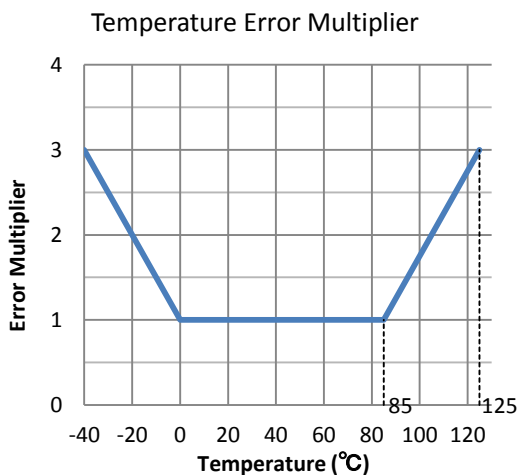
$$V_{out} = VDD \times ((P \times \alpha) + \beta) \pm (\text{Pressure Error} \times \text{Temperature Error Multiplier} \times \alpha \times VDD)$$

Parameters

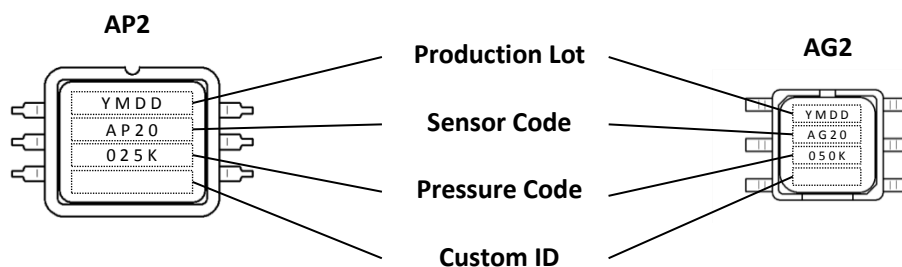
Parameter		VDD (*1)	P (kPa)	α	β	Pressure Error (kPa)
Sensor Code	Pressure Code					
AP20x AG20x	025KG	5.0±0.25 V	0 ~ +25	9/250	1/25	0.375
	050KG		0 ~ +50	9/500	1/25	0.75
	100KG		0 ~ +100	9/1000	1/25	1.5
	200KG		0 ~ +200	9/2000	1/25	3.0
	500KG		0 ~ +500	9/5000	1/25	7.5
	700KG		0 ~ +700	9/7000	1/25	10.5
	001MG		0 ~ +1000	9/10000	1/25	15
	050KV		-50 ~ 0	-9/500	1/25	0.75
	100KV		-100 ~ 0	-9/1000	1/25	1.5
	100KW		-100 ~ +100	9/2000	49/100	3.0
	AP21x AG21x		025KG	3.3±0.165 V	0 ~ +25	9/275
050KG		0 ~ +50	9/550		1/11	0.75
100KG		0 ~ +100	9/1100		1/11	1.5
200KG		0 ~ +200	9/2200		1/11	3.0
500KG		0 ~ +500	9/5500		1/11	7.5
700KG		0 ~ +700	9/7700		1/11	10.5
001MG		0 ~ +1000	9/11000		1/11	15
050KV		-50 ~ 0	-9/550		1/11	0.75
100KV		-100 ~ 0	-9/1100		1/11	1.5
100KW		-100 ~ +100	9/2200		1/2	3.0
AP22x AG22x		025KG	3.0±0.15 V		0 ~ +25	9/250
	050KG	0 ~ +50		9/500	1/20	1
	100KG	0 ~ +100		9/1000	1/20	2
	200KG	0 ~ +200		9/2000	1/20	4
	500KG	0 ~ +500		9/5000	1/20	10
	700KG	0 ~ +700		9/7000	1/20	14
	001MG	0 ~ +1000		9/10000	1/20	20
	050KV	-50 ~ 0		-9/500	1/20	1
	100KV	-100 ~ 0		-9/1000	1/20	2
	100KW	-100 ~ +100		9/2000	1/2	4

Note:

*1) Output voltage (Vout) is not perfectly ratio-metric with the supply voltage (VDD).



12. Device Marking



Items		Marking
Production Lot		
Y	Last digit of Production year	0~9
M	Production month	1, 2, 3 ~ 8, 9, X=Oct., Y=Nov., Z=Dec.
DD	Production date	01~31
Sensor Code		
	AP20x	AP20
	AP21x	AP21
	AP22x	AP22
	AG20x	AG20
	AG21x	AG21
	AG22x	AG22
Pressure Code		
	025KG	025K
	050KG	050K
	100KG	100K
	200KG	200K
	500KG	500K
	700KG	700K
	001MG	001M
	050KV	050V
	100KV	100V
	100KW	100W
Custom ID		If applicable

*1

*2

Notes:

- *1) Pin direction for AP2 or Port length for AG2 is not marked on the face plate.
- *2) Custom ID will be added when a product is customized for a customer.

13. Soldering

Process	Sensor code	Condition																		
Hand Soldering	AP2xx	Soldering iron temperature: 350 deg. C max. Soldering time: 3 seconds max.																		
Wave Soldering	AP2xR	Soldering bath temperature: 260 deg. C max. Soldering time: 5 seconds max.																		
Reflow Soldering	AG2xx	<p style="text-align: center;">Soldering Profile</p> <table border="1" style="margin-top: 10px;"> <thead> <tr> <th></th> <th></th> <th></th> </tr> </thead> <tbody> <tr> <td>A</td> <td>Ramp up</td> <td>2 to 4 deg. C / sec.</td> </tr> <tr> <td>B</td> <td>Pre-heating</td> <td>150 to 180 deg. C 60 to 120 sec.</td> </tr> <tr> <td>C</td> <td>Ramp up</td> <td>2 to 4 deg. C / sec.</td> </tr> <tr> <td>D</td> <td>Heating</td> <td>Above 230 deg. C, 45 sec. max. 245 deg. C max., 10 sec. max.</td> </tr> <tr> <td>E</td> <td>Ramp down</td> <td>2 to 4 deg. C / sec.</td> </tr> </tbody> </table>				A	Ramp up	2 to 4 deg. C / sec.	B	Pre-heating	150 to 180 deg. C 60 to 120 sec.	C	Ramp up	2 to 4 deg. C / sec.	D	Heating	Above 230 deg. C, 45 sec. max. 245 deg. C max., 10 sec. max.	E	Ramp down	2 to 4 deg. C / sec.
A	Ramp up	2 to 4 deg. C / sec.																		
B	Pre-heating	150 to 180 deg. C 60 to 120 sec.																		
C	Ramp up	2 to 4 deg. C / sec.																		
D	Heating	Above 230 deg. C, 45 sec. max. 245 deg. C max., 10 sec. max.																		
E	Ramp down	2 to 4 deg. C / sec.																		

*1, 2
*1, 2
*1, 2, 3, 4

Notes:

- *1) NEVER wash the device with any washing liquid. NEVER wash the device with any ultrasonic washing machine.
- *2) Do not put the solder and flux on the device's package.
- *3) Temperature means Surface temperature of the device's package.
- *4) Do not reflow more than twice.

14. Dimensions and Weights

Refer to the following drawing as attached.

Sensor Code	Dimension Drawing	Weight
AP2xN	9-772-001	approx. 1.4 grams
AP2xR	9-772-002	
AG2x3	9-772-003	approx. 0.3 grams
AG2x6	9-772-004	approx. 0.4 grams

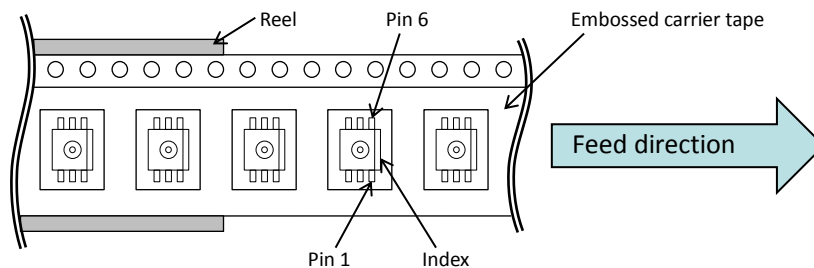
15. Ordering Information

Model	Package	Supply Voltage	Pin Direction	Packing	Ordering Device Number	Qty./Packing
AP2	DIP	5.0 Vdc	Normal	Tray	AP20N- [Pressure Code]	150 Pcs/Tray
				Stick	AP20N- [Pressure Code] -STICK	40 Pcs/Stick
			Opposite	Tray	AP20R- [Pressure Code]	150 Pcs/Tray
				Stick	AP20R- [Pressure Code] -STICK	40 Pcs/Stick
		3.3 Vdc	Normal	Tray	AP21N- [Pressure Code]	150 Pcs/Tray
				Stick	AP21N- [Pressure Code] -STICK	40 Pcs/Stick
			Opposite	Tray	AP21R- [Pressure Code]	150 Pcs/Tray
				Stick	AP21R- [Pressure Code] -STICK	40 Pcs/Stick
		3.0 Vdc	Normal	Tray	AP22N- [Pressure Code]	150 Pcs/Tray
				Stick	AP22N- [Pressure Code] -STICK	40 Pcs/Stick
			Opposite	Tray	AP22R- [Pressure Code]	150 Pcs/Tray
				Stick	AP22R- [Pressure Code] -STICK	40 Pcs/Stick
			Port Length			
AG2	SMD	5.0 Vdc	3 mm	Tray	AG203- [Pressure Code]	300 Pcs/Tray
				Tape & Reel	AG203- [Pressure Code] -TP	500 Pcs/Reel
			6 mm	Tray	AG206- [Pressure Code]	300 Pcs/Tray
				Tape & Reel	AG206- [Pressure Code] -TP	500 Pcs/Reel
		3.3 Vdc	3 mm	Tray	AG213- [Pressure Code]	300 Pcs/Tray
				Tape & Reel	AG213- [Pressure Code] -TP	500 Pcs/Reel
			6 mm	Tray	AG216- [Pressure Code]	300 Pcs/Tray
				Tape & Reel	AG216- [Pressure Code] -TP	500 Pcs/Reel
		3.0 Vdc	3 mm	Tray	AG223- [Pressure Code]	300 Pcs/Tray
				Tape & Reel	AG223- [Pressure Code] -TP	500 Pcs/Reel
			6 mm	Tray	AG226- [Pressure Code]	300 Pcs/Tray
				Tape & Reel	AG226- [Pressure Code] -TP	500 Pcs/Reel



Pressure Range	Pressure Code
0 ~ +25 kPa	025KG
0 ~ +50 kPa	050KG
0 ~ +100 kPa	100KG
0 ~ +200 kPa	200KG
0 ~ +500 kPa	500KG
0 ~ +700 kPa	700KG
0 ~ +1 MPa	001MG
-50 ~ 0 kPa	050KV
-100 ~ 0 kPa	100KV
-100 ~ +100 kPa	100KW

16. Tape & Reel Information



17. Footprint for PCB (for Reference)

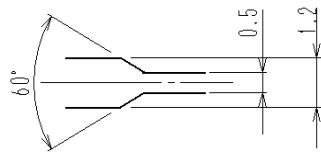
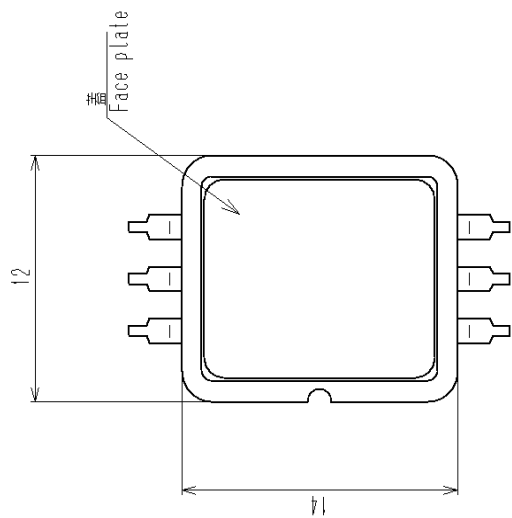
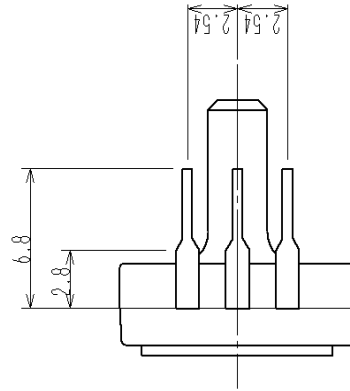
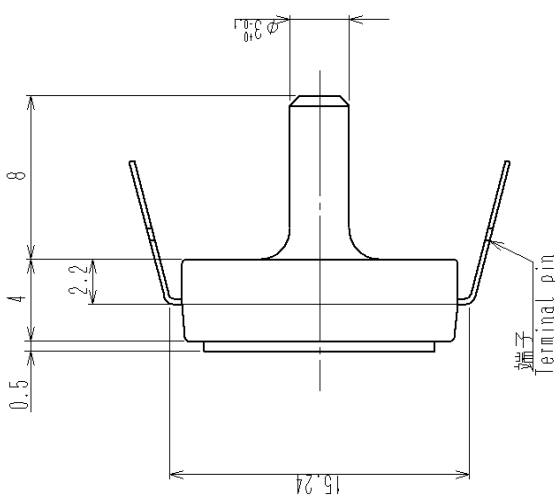
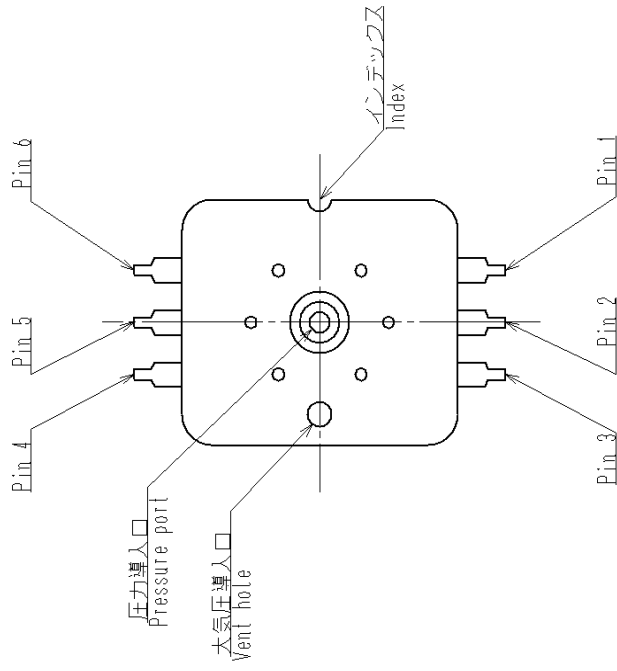
Sensor Code	Footprint
AP2xN	<p>Hole for Pressure Port Diameter is depending on your design.</p> <p>6 - $\phi 1.8$ mm 6 - $\phi 0.9$ mm Land pads 15.2 mm 2.54 mm 2.54 mm</p>
AP2xR	<p>6 - $\phi 1.8$ mm 6 - $\phi 0.9$ mm Land pads 15.2 mm 2.54 mm 2.54 mm</p>
AG2x3	<p>1.7 mm 1.4 mm Land pads 9.4 mm 2.54 mm 2.54 mm</p>
AG2x6	<p>1.7 mm 1.4 mm Land pads 9.4 mm 6.0 mm 2.54 mm 2.54 mm 2 - $\phi 1.1$ mm (Holes for Projections)</p>

Notes:

- *1) These footprints are for reference. Please evaluate well these footprints, before your mass production.
- *2) When designing your PCB, please also refer to the outline diagrams.

18. Notes

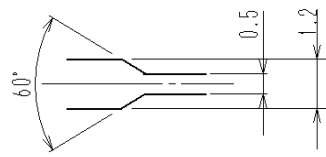
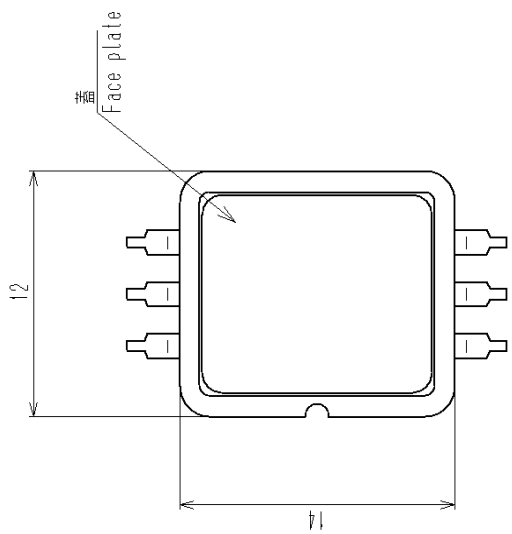
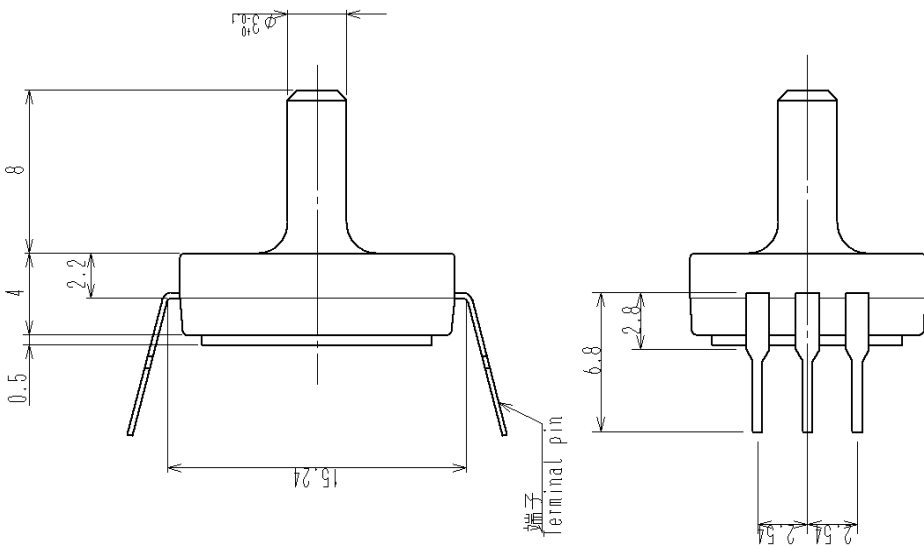
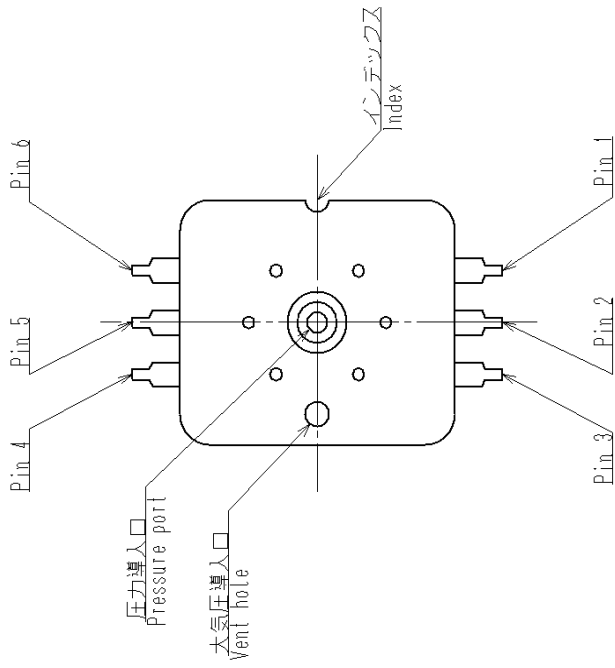
- Fujikura reserves all rights.
- This document has a possibility to be changed without notice.
- Limitation, usage, environment, standard warranty and so on are listed on Fujikura web site.
- Please refer to the latest specifications.



Unless otherwise specified, tolerance: $\pm 0.1\text{mm}$

PART NO.	部品名	材質	個数	摘要
PROJECT NAME:				
名称 TITLE				
APxxN series				
Outline diagram				
図面番号 DRAWING NO.				
_9-772-001				
第3角法 3RD ANGLE PROJECTION				
単位 UNITS m.m				
尺度 SCALE Free				
DATE OF ISSUE				
Oct/1/2013				
REV. MARK	◇			

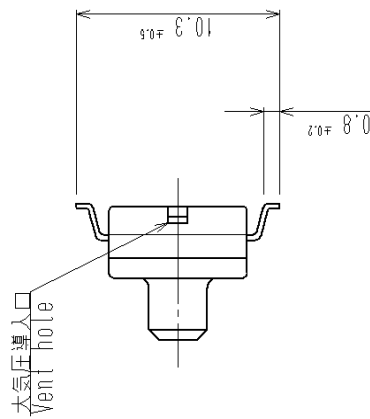
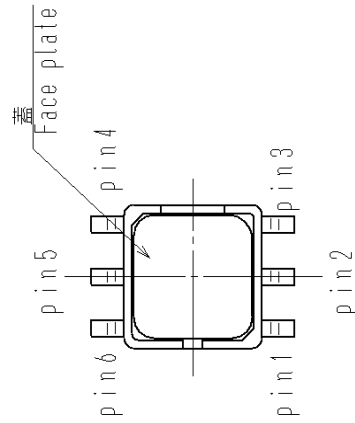
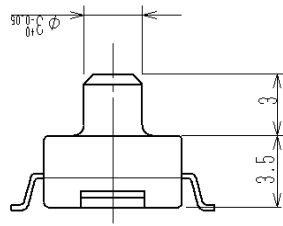
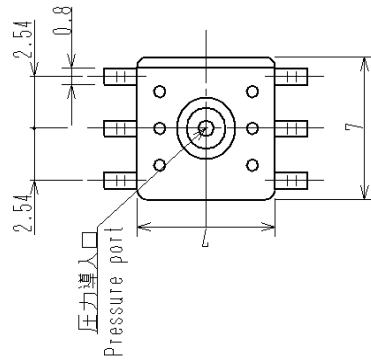
MARK	変更 REVISIONS	年月日 DATE
◇		



Unless otherwise specified, tolerance: $\pm 0.1\text{mm}$

PART NO.	部品名	材質	個数	摘要
PROJECT NAME:				
名称 TITLE				
APxxR series				
Outline diagram				
第3角法 SYMBOL CONNECTION	単位 UNITS	尺度 SCALE	DATE OF ISSUE	図面番号 DRAWING NO.
m	mm	Free	0ct/1/2013	9-772-002
				REV. MARK
				◇

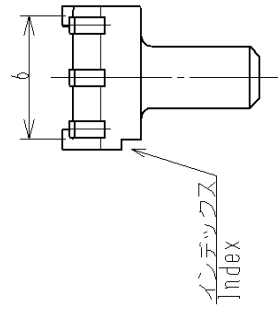
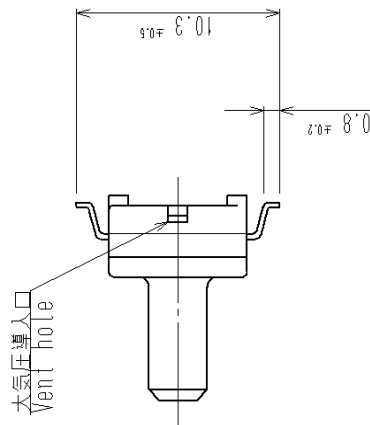
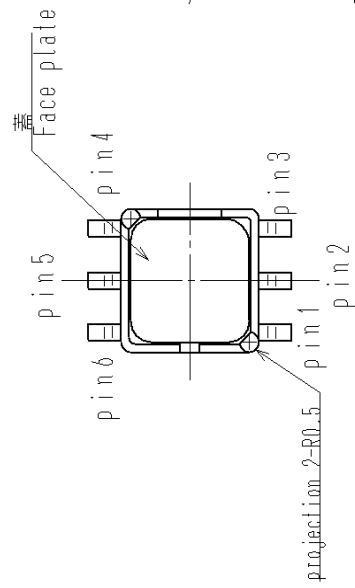
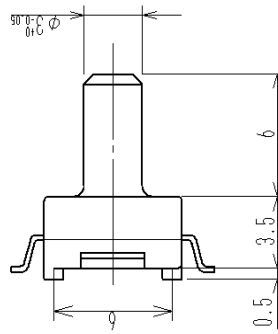
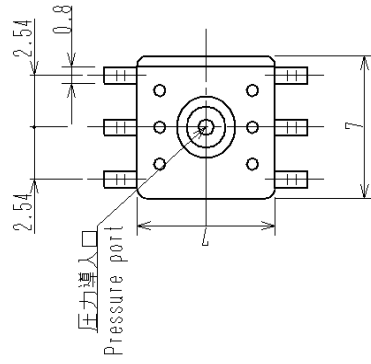
MARK	変更 REVISIONS	年月日 DATE
◇		



Unless otherwise specified, tolerance: $\pm 0.1\text{mm}$

PART NO.	部品名	材質	個数	摘要
PROJECT NAME:	NAME OF PART	MAT'L	QTY	REMARKS
名称TITLE				
AGx3 series				
Outline diagram				
第3角法 3RD ANGLE PROJECTION				
単位UNITS m.m				
尺度SCALE Free				
DATE OF ISSUE	図面番号DRAWING NO.			REV. MARK
0ct/1/2013	9-772-003			◇

◇	MARK	変更 REVISIONS	年月日 DATE
---	------	--------------	----------



Unless otherwise specified, tolerance: $\pm 0.1\text{mm}$

PART NO.	部品名	材質	個数	摘要
PROJECT NAME:	NAME OF PART	MAT'L	QTY.	REMARKS
名称TITLE				
AGxx6 series				
Outline diagram				
第3角法 3rd ANGLE PROJECTION				
单位UNITS m.m				
尺度SCALE Free				
DATE OF ISSUE	图面番号DRAWING NO.			REV. MARK
0ct/1/2013	9-772-004			◇

◇	MARK	変更	REVISIONS	年月日 DATE
---	------	----	-----------	-------------