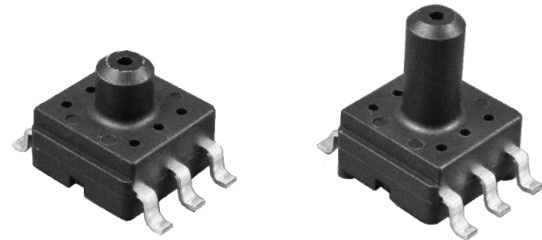


Analog Output (Non-Digitally Corrected) & Single Point Pressure Threshold Detection Semiconductor Pressure Sensor

AG3 Series

Description

The AG3 pressure sensor series is composed of a silicon piezoresistive pressure sensing chip and a signal conditioning integrated circuit. The signal conditioning IC does not have A/D and D/A converter in a gain amplifier. Therefore the AG3 series can provide full analog amplified and temperature compensated output. Moreover the amplification circuit is designed with low noise output. As a unique function, the AG3 series has Single Point Pressure Threshold Detection. Analog output and threshold voltage are supplied to an internal comparator that compares two voltages and outputs a comparison result as digital output.



AG3*3

AG3*6

Features

- Non-digitally amplified and temperature compensated analog output
- Single point pressure threshold detection
- High accuracy $\pm 1.5\%$ FS / 0 to +60°C
- Supply voltage 3.0, 3.3 & 5.0 Vdc
- Miniature 10.3 mm x 7 mm SMT package
- 3 mm and 6 mm port available
- Package compatible with Fujikura’s XFGM integrated pressure sensor
- Customization or modification available

Applications

- Medical devices
- Industrial pneumatic devices
- Consumer devices

✓ RoHS Compliant

Sold in North America By:

Servoflo Corporation

75 Allen Street

Lexington, MA 02421

Tel: 781-862-9572

www.servoflo.com / info@servoflo.com

Device Lineup

Model	Port Length	Pressure Type	Supply Voltage	Accuracy	Pressure Range										
					-100	-50	0	25	50	100	200	500	700	1000 kPa	
					(-15)	(-7)	(3)	(7)	(15)	(30)	(70)	(100)	(150) psi		
AG3	6 mm or 3 mm	Gauge	5.0 Vdc or 3.3 Vdc	$\pm 1.5\%$ FS			025K	050KG	100KG	200KG	500KG	700KG	001MG		
			3.0 Vdc	$\pm 2.0\%$ FS	050KV	100KV	100KW								
Same as the above															

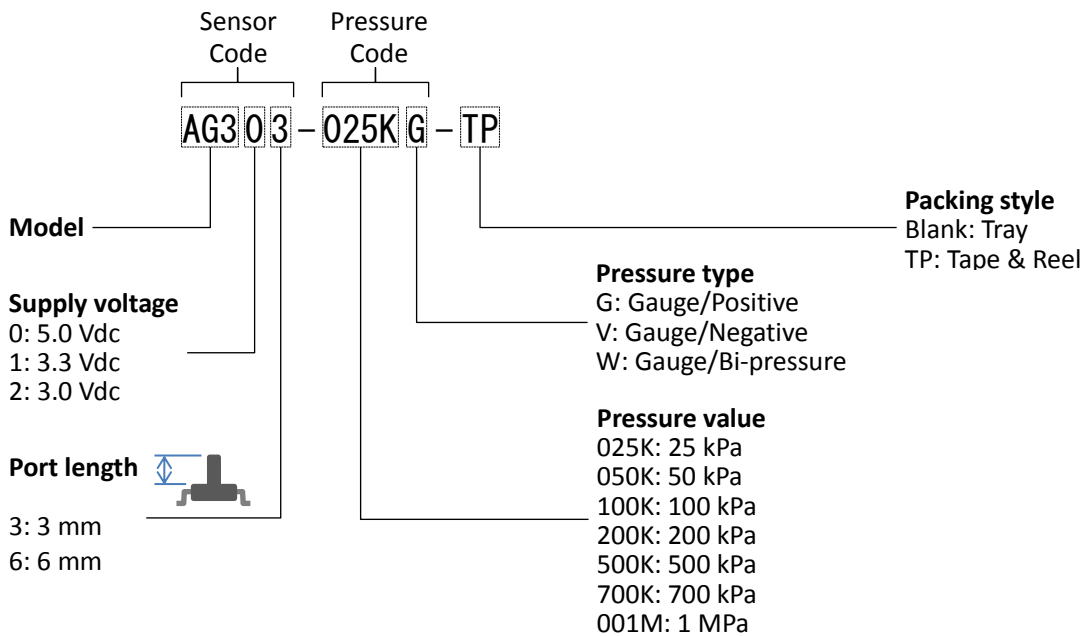
© 2014 Fujikura Ltd. All rights reserved.
This data sheet has a possibility to be revised without notice. This data sheet does not contain all information. Before designing, please ask us the specifications of this product.



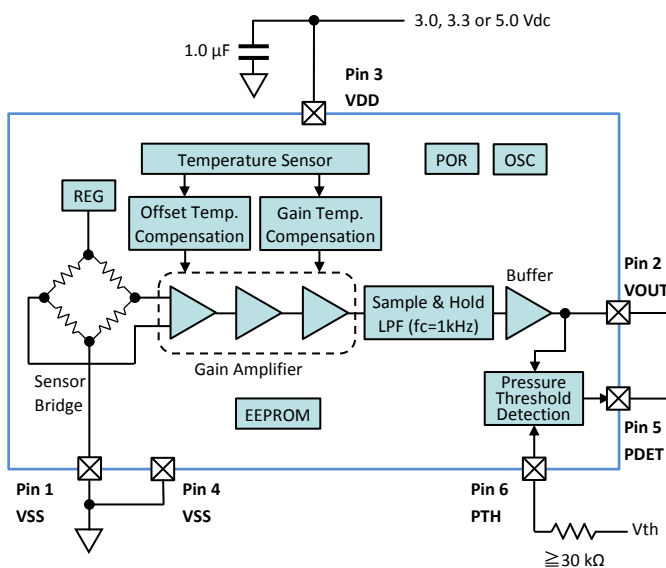
Analog Output (Non-Digitally Corrected) & Single Point Pressure Threshold Detection Semiconductor Pressure Sensor

AG3 Series

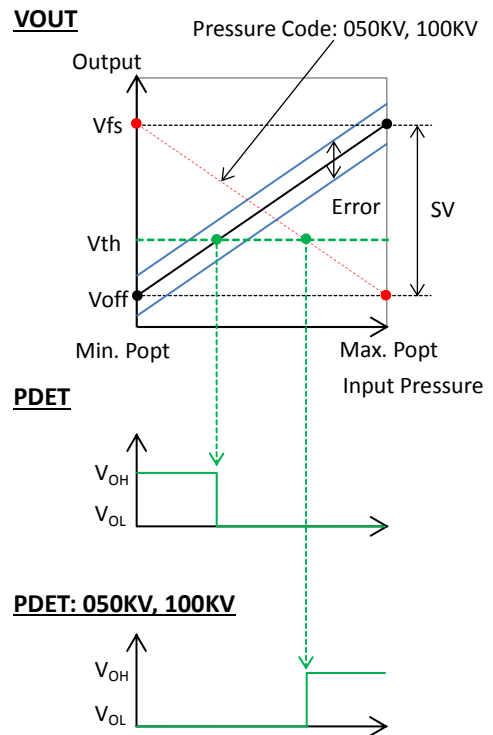
Device Name Code



Block Diagram



Output Characteristics



Analog Output (Non-Digitally Corrected) & Single Point Pressure Threshold Detection Semiconductor Pressure Sensor

AG3 Series

Absolute Maximum Ratings

Item	Symbol	Rating	Unit
Supply Voltage	VDDmax	6	Vdc
Input Voltage	VIN	VSS - 0.3 to VDD + 0.3	V
Load Pressure	Pmax+	See Pressure Range Table	
Operating Temperature	Topt	-40 to +105	°C
Storage Temperature	Tstg	-40 to +105	°C

General Specifications

Item	Symbol	Sensor Code			Unit
		AG30*	AG31*	AG32*	
Supply Voltage	VDD	5.0±0.25	3.3±0.165	3.0±0.15	Vdc
Type of Pressure	-	Gauge pressure			
Pressure Media	-	Non-corrosive gases			
Compensated Temperature	-	0 to +60			°C
Operating Humidity	Hopt	30 to 85 (non-condensing)			%RH
Storage Humidity	Hstg	30 to 85 (non-condensing)			%RH

Pressure Range

Item	Symbol	Pressure Code										Unit
		025KG	050KG	100KG	200KG	500KG	700KG	001MG	050KV	100KV	100KW	
Absolute Maximum Load Pressure	Pmax+	+50	+100	+200	+400	+1000	+1400	+1500	+100	+200	+200	kPa
Measurement Pressure	Popt	Min.	0	0	0	0	0	0	-50	-100	-100	
		Max.	+25	+50	+100	+200	+500	+700	+1000	0	0	+100

Electrical Characteristics

Load resistor $R_L = \infty$, Ambient temperature $T_a = 25^\circ\text{C}$

Sensor Code	Item	Condition	Symbol	Rating			Unit
				Min.	Typ.	Max.	
AG30* VDD = 5.0 Vdc	Offset Voltage	Min. Popt, 050KV & 100KV: Max. Popt	Voff	0.1325	0.2	0.2675	V
	Full Scale Voltage	Max. Popt, 050KV & 100KV: Min. Popt	Vfs	4.6325	4.7	4.7675	V
	Span Voltage	Min. to max. Popt	SV	-	4.5	-	V
	Accuracy	0 to 60°C	Error	-1.5	-	+1.5	%FS
				-0.0675	-	+0.0675	V
	Supply Current		Ic	-	-	6	mAdc
AG31* VDD = 3.3 Vdc	Offset Voltage	Min. Popt, 050KV & 100KV: Max. Popt	Voff	0.2595	0.3	0.3405	V
	Full Scale Voltage	Max. Popt, 050KV & 100KV: Min. Popt	Vfs	2.9595	3.0	3.0405	V
	Span Voltage	Min. to max. Popt	SV	-	2.7	-	V
	Accuracy	0 to 60°C	Error	-1.5	-	+1.5	%FS
				-0.0405	-	+0.0405	V
	Supply Current		Ic	-	-	5	mAdc
AG32* VDD = 3.0 Vdc	Offset Voltage	Min. Popt, 050KV & 100KV: Max. Popt	Voff	0.096	0.15	0.204	V
	Full Scale Voltage	Max. Popt, 050KV & 100KV: Min. Popt	Vfs	2.796	2.85	2.904	V
	Span Voltage	Min. to max. Popt	SV	-	2.7	-	V
	Accuracy	0 to 60°C	Error	-2.0	-	+2.0	%FS
				-0.054	-	+0.054	V
	Supply Current		Ic	-	-	5	mAdc
Pressure Threshold Detection	Type of Output		PDET	CMOS			
	Threshold Input to PTH		Vth	0.1 x VDD	-	0.9 x VDD	V
	Input Impedance of PTH		Zin	1	-	-	MΩ
	Output from PDET	$V_{OUT} < V_{th}$	V_{OH}	0.9 x VDD	-	-	V
		$V_{OUT} \geq V_{th}$	V_{OL}	-	-	0.1 x VDD	V
Pressure Hysteresis		Phys	-	0.05 x VDD	-	V	
Common	Response Time	for reference	tr	-	2	-	msec.
	Load Resistor	VOUT - VSS or VDD - VOUT	RL	9.5	-	-	kΩ
	Load Capacitance	VOUT - VSS	CL	-	-	50	nF

© 2014 Fujikura Ltd. All rights reserved.

This data sheet has a possibility to be revised without notice. This data sheet does not contain all information. Before designing, please ask us the specifications of this product.



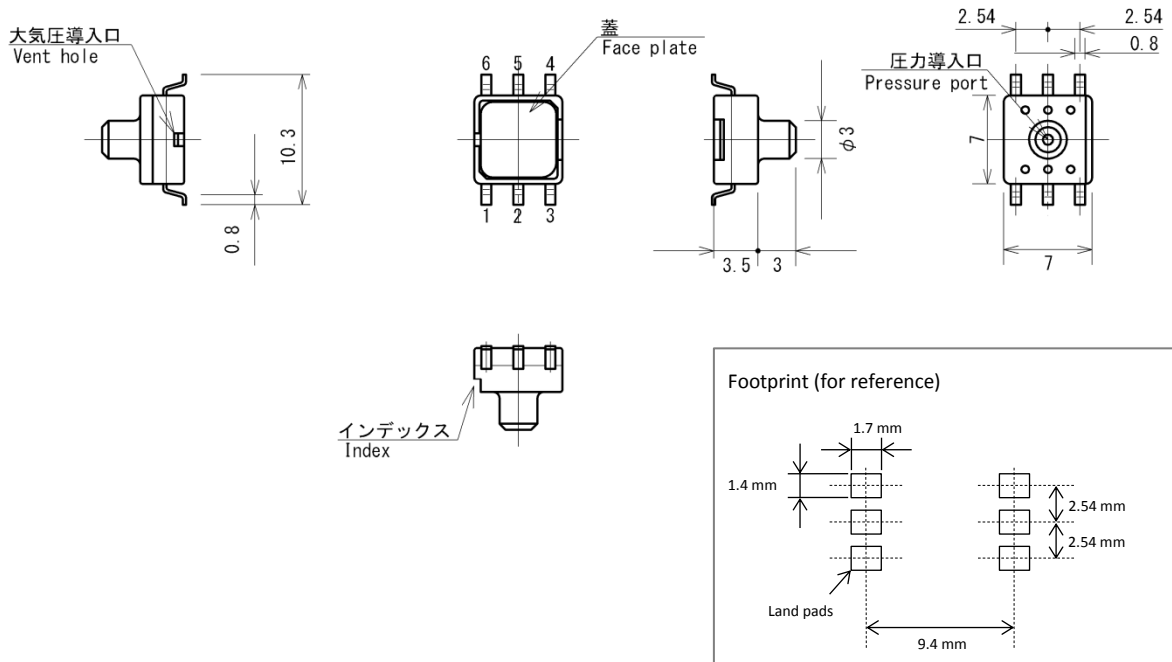
Analog Output (Non-Digitally Corrected) & Single Point Pressure Threshold Detection Semiconductor Pressure Sensor

AG3 Series

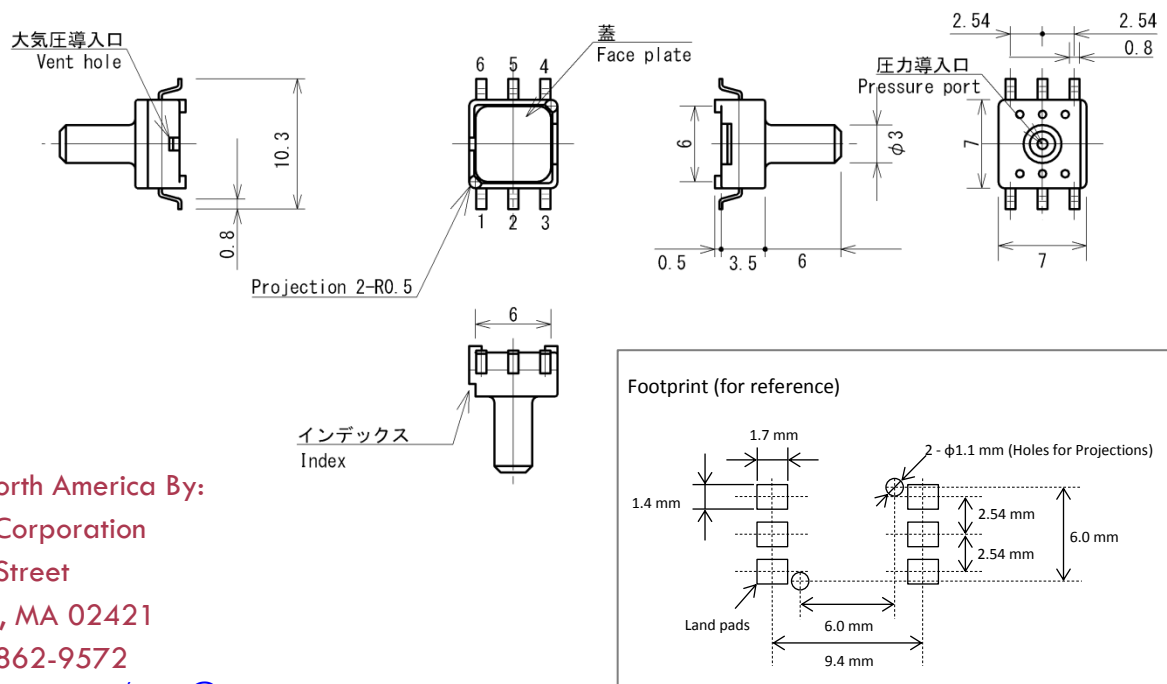
Package Dimensions

unit: mm

Sensor Code: AG3*3



Sensor Code: AG3*6



Sold in North America By:
 Servoflo Corporation
 75 Allen Street
 Lexington, MA 02421
 Tel: 781-862-9572
www.servoflo.com / info@servoflo.com

© 2014 Fujikura Ltd. All rights reserved.
 This data sheet has a possibility to be revised without notice. This data sheet does not contain all information. Before designing, please ask us the specifications of this product.