



MERIT SENSOR™

Distributed by:
Servoflo Corporation
75 Allen Street
Lexington, MA 02421
781-862-9572
info@servoflo.com

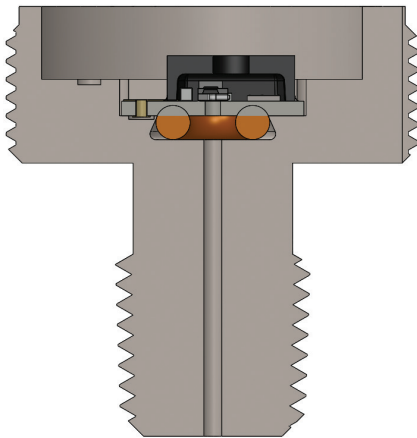
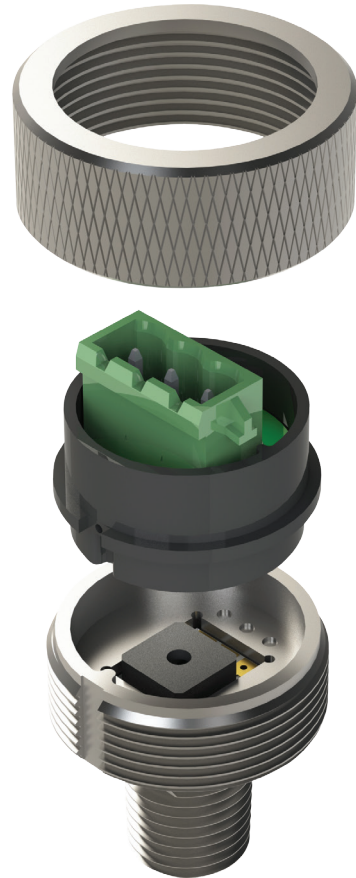
EVALUATION KIT

MeriTREK

MeriTREK – TR Evaluation Kit A convenient solution to quickly assess the TR Series pressure sensor

FEATURES

- Stainless steel housing (1/4»NPT connection)
- TR-Series face seal ready
- Easy to handle (fixing screw)
- Valid reliability test support
- Suggested temperature range : 0..85°C
- 1..35bar gage/absolute pressure range supported (TR-Series)
- HNBR O-ring (interchangeable for different media)
- TR-Series final application design-in suggestion (sealing)
- Enjoy all TR-Series features without any external components
- TR-Series TR1-0100A-001 (included)



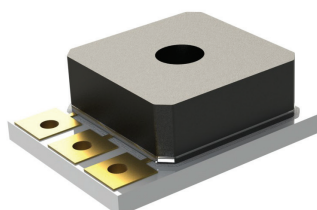
TR inside fitting



The **TR Series** pressure transducer is a rugged, direct-media pressure monitoring solution designed for today's toughest pressure sensing environments.

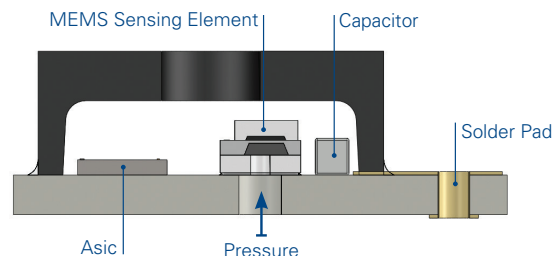
The TR Series pressure transducer is a fully compensated, amplified output pressure sensor package combining Merit Sensor's Sentium process harsh media MEMS piezoresistive die with state-of-the-art pressure sensor ASIC signal management.

TR1-0100A-001



Standard Face Seal

CROSS SECTION



Features	Min.	Typ.	Max.	Unit	Notes
Electrical					
Supply Voltage (Vdd)	4.5	5	5.5	Volts	
Supply Current			10	mA	
Output Current			2.5	mA	
Short Circuit Current	-25		25	mA	
Reverse Polarity Protection	-33			Volts	Device will cease operation during supply voltage fault.
Overvoltage Protection			33	Volts	Device will cease operation during supply voltage fault.
ESD	>4			kV	Human body model 1.5kOhm/100pF.
Performance					
Output Range (Vout)	5		95	%Vdd	
Resolution		0.03		%FS	12 bit DAC
Accuracy	-2.5	0	2.5	% FS	Accuracy includes all error for hysteresis and linearity over the entire operating temperature range. It does not include lifetime drift. -40°C to 150°C.
Static Proof Pressure		2X FS		PSIA	
Burst Pressure		3X FS		PSIA	
Lifetime Drift			0.5	%FS	
Repeatability			0.25	%FS	
Environmental					
Operating Temperature	-40		150	°C	
Storage Temperature	-55		150	°C	
Weight		1.08		Grams	