

## MODEL: ASI 3000 OEM INDUSTRIAL MEMS PRESSURE SENSOR & TRANSMITTER



Made in the USA

### PERFORMANCE @ 25°C (77°F)

Accuracy*	<±0.25% typ.
Stability	(1 year) <±0.2% typ.
Over range Protection	2X rated (4X optional)
Pressure Type	Gauge, Sealed, Absolute
Response Time	≤1ms ( up to 90% FS)

Output	Excitation	Zero Offset	Span Tolerance
0-5V	10-30V	<±0.75%	<±0.75%
4-20mA			
0.5-4.5V Ratiometric	5VDC typ.	<±2mV	<±2mV
10mV/V**			

\* Accuracy includes non-linearity, hysteresis & non-repeatability

\*\* 10VDC, Maximum

### PHYSICAL DESCRIPTION

Wetted Material	316L
Electrical Connection	Packard, Din 43650C, M12, Cable etc.
Body Material	Stainless Steel
Weight	95g
Reverse Polarity Protection	Yes

The ASI 3000 is Media Isolated sensor is intended for industrial general purpose OEM applications that require measurement of liquids and gases up to 1000PSI. The ASI 3000 offers rugged construction, latest in MEMs technology, advanced electronics and competitive pricing.

### APPLICATIONS:

- Pressure Instrumentation
- Water Level
- Boiler Controls
- Pneumatics
- HVAC/R Systems

### BENEFITS:

- Low Static and Thermal Errors
- Wide Operating Temperature Range
- Compact Size
- Pressure Ranges from 0 to 2,000 PSI (150 Bar)

### ENVIRONMENTAL DATA

#### Temperature

Operating	-40 to 105°C
Storage	-40 to 125°C
IP rating	IP65

#### Thermal Limits

Compensated Range	0°C to 70°C
TC Zero	< ±1.5% of FS
TC Span	< ±1.5% of FS

#### Other

Shock	100 (11ms)
Vibration	20g (20 to 5000 Hz)

## ORDERING INFORMATION

**ASI 3000** **G** **A** **00500** **P** **4** **E** **1** **000**

Series Type

**Pressure Reference**

A=Absolute  
G=Gauge Pressure  
O=Sealed Gauge

**Process Connection**

A=1/4" NPT Male  
B=1/8" NPT Male  
H=20x1.5 Male  
F=7/16" UNF Male  
I=1/4" NPT Female  
J=1/8 NPT Female  
K=7/16-20UNF  
T=G1/2 Male  
D=G1/4 Male

**Pressure Measurement**

Insert pressure code from chart

**Pressure Unit**

B=Bar  
P=PSI  
K=kg/cm<sup>2</sup>

**Outputs**

2=0-5V  
4=4-20mA  
1=0.5-4.5V Ratiometric  
A=10mV/V\*\*

**Electrical**

E=Mini Din 43650C  
K=Deutsch DT04-3P  
Z=Deutsch DT04-4P  
F=Packard Metrick  
A=2ft. (0.6m)  
C=6ft. (1.8m)  
Y=M12x1  
X=Special

**Wetted Material**

1=316L

**Options**

000=No Options

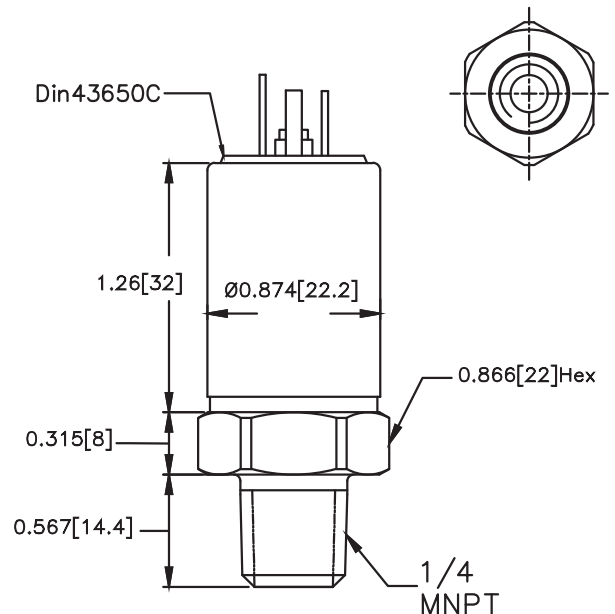
**Sold in North America by:**  
**Servoflo Corporation**  
75 Allen Street  
Lexington, MA 02421  
781-862-9572  
[www.servoflo.com/info@servoflo.com](http://www.servoflo.com/info@servoflo.com)

### PRESSURE RANGES

PSIG Measurement	Pressure Code	BARG Measurement	Pressure Code
0-2	00002	0-1	00001
0-5	00005	0-2	00002
0-10	00010	0-10	00010
0-15	00015	0-25	00025
0-30	00030	0-50	00050
0-100	00100	0-100	00100
0-500	00500	0-150	00150
0-1,000	01000		
0-2,000	02000		

All Pressure between 0-2PSI and 0-2000PSI available.

### DIMENSIONAL DRAWING



Dimension in inches [mm]

All specifications are for reference purposes only. In the interests of continuous product improvement, all specifications are subject to change without notice. Please contact ASI 3000 for assistance with your application.

**Standard configurations shown.**  
Please consult factory for other options.