

High Temperature Pressure Sensor

MODEL ASI 20HT

FEATURES:

- One piece design
- No welded, No oil-filling, No O-ring
- Excellent accuracy
- Excellent long-term stability

APPLICATIONS:

- Semiconductor Manufacturing
- Power Generation
- High Pressure Steam
- Chemical Reactor
- Oil & Gas
- Down Holes

PRODUCT OVERVIEW:

ASI 20HT is designed to measure pressure measurements under high environment and media temperatures. The Hastelloy C276 wetted parts offer excellent media compatibility with wide range of liquids and gases. Inorganic bonding of the sensing element offers high stability over along periods of time.

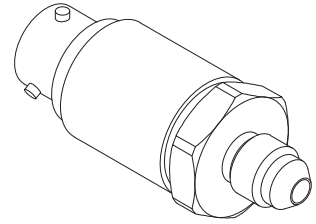
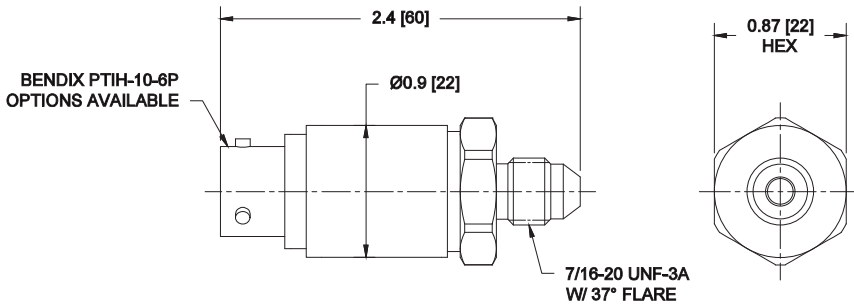


Model ASI 20HT
High Temperature Pressure Sensor

MODEL ASI 20HT

DIMENSIONAL DRAWING

All dimensions are in inches (mm)



WIRING CONFIGURATION

PIN(A/#)	mV/V
A/1	+EXCITATION(R)
B/2	+OUTPUT(G)
C/3	-OUTPUT(W)
D/4	-EXCITATION(B)
E/5	NO CONNECT
F/6	NO CONNECT

* PARENTHESES() REPRESENT COLORS FOR CABLE OPTION. (R) = RED, (B) = BLACK, (G) = GREEN, (W) = WHITE
 ** CUSTOM PINOUTS AVAILABLE, SHUNTS AND TEMPERATURE PINS MAY BE USED WITH ADDITIONAL COLORS

REFERENCE SPECIFICATIONS

ELECTRICAL
<ul style="list-style-type: none"> • Output Signal: 5mV/V (Less than 200PSI), 10mV/V • Connection: Bendix 6-Pin Connector (PTIH-10-6P) • Excitation: 5VDC, typ., 10VDC Maximum • Current Consumption: < 5mA • Pressure Cycles: > 100 Million at full pressure • Isolation Voltage: 500VDC
ACCURACY (HYSTERESIS, NON-LINEARITY & REPEATABILITY @ +70°F)
<ul style="list-style-type: none"> • Static Accuracy (RSS): < ± 0.25% BFSL, typ. (Linearity calculated using BFSL) • Zero/span balance: < ±2% of FS
THERMAL SPECIFICATION
<ul style="list-style-type: none"> • Compensated Range: 20 to 100°C • TC Zero: < ±0.02% of FS / °C typ. • TC Span: < ±0.02% of FS / °C typ. • Operating Ambient: -40 to 200°C • Media: -55 to 200°C

MECHANICAL
<ul style="list-style-type: none"> • Process Port: 1/4" VCR, 7/16-20UNF-3A Male w/37° Flare • Proof Pressure: 2X Rated pressure • Burst Pressure: 5X or 20,000PSI (whichever is less)
PRESSURE RANGES
0-100 TO 3000PSI (1/4" VCR) 0-100 TO 10000PSI (7/16-20UNF-3A Male w/37° Flare)
MATERIALS OF CONSTRUCTION
<ul style="list-style-type: none"> • Wetted Parts: Hastelloy C276, One piece structure

*Some options may invalidate Mil-specifications. Please consult factory for your specific needs.

Standard configurations shown.
Please consult factory for other options.

All specifications are for reference purposes only. In the interests of continuous product improvement, all specifications are subject to change without notice. Please contact ASI 20HT for assistance with your application.

Sold in North America by:
Servoflo Corporation
 75 Allen Street
 Lexington, MA 02421
 781-862-9572
www.servoflo.com/
info@servoflo.com