

## Pressure Sensor with USB Interface

### MODEL ASI 2080

#### FEATURES:

- Portable and Remote Application
- Compact, lightweight stainless steel design
- High accuracies up to  $\pm 0.1\%$  FSO (BFSL)
- Wide operating temperature range from  $-40^{\circ}\text{F}$  to  $+185^{\circ}\text{F}$  ( $-40^{\circ}\text{C}$  to  $+85^{\circ}\text{C}$ )
- Rugged Designed

#### APPLICATIONS:

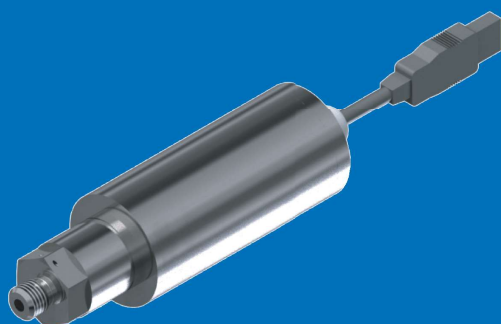
- Test & Measurement
- Test benches
- Lab test equipment
- Military and civilian aircraft
- Ground support and engine test stands

#### PRODUCT OVERVIEW:

Model ASI 2080 is a USB output pressure transducer offering high-accuracy measurements of  $\pm 0.1\%$  FSO. It is ideal for use within laptop and data recorded for portable applications, Its compact and light-weight design facilitates ease of installation within space constrained environments.

#### FIELD OPTIONS:

- Inconel 718, Hastelloy C276 wetted parts
- Wide selection of pressure ports

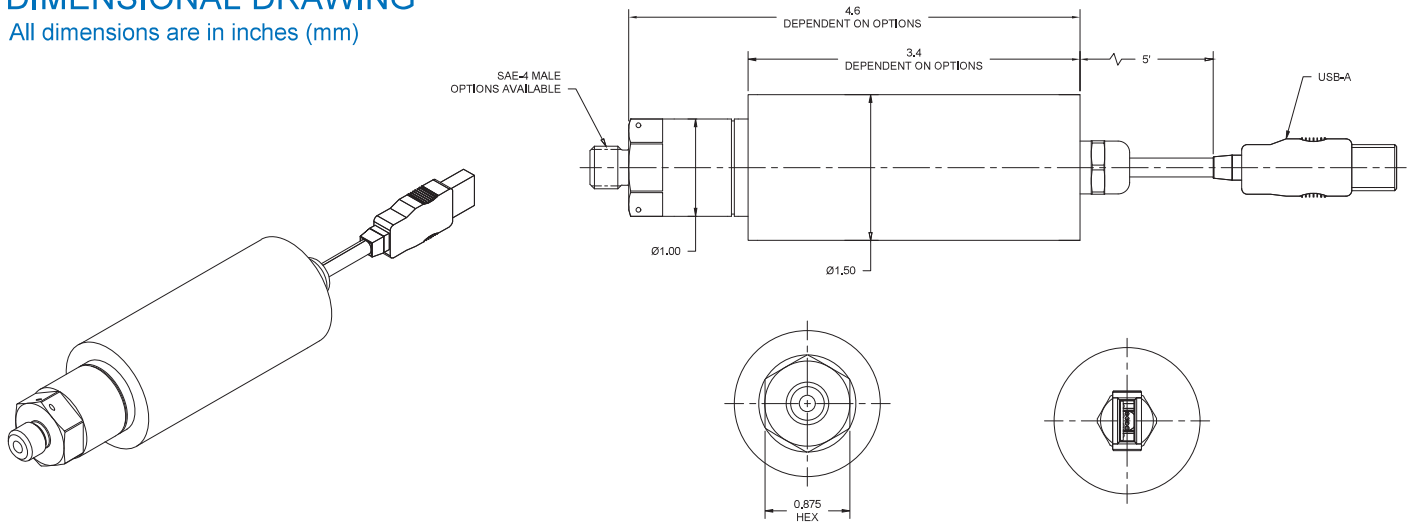


Model ASI 2080

# MODEL ASI 2080

## DIMENSIONAL DRAWING

All dimensions are in inches (mm)



## SPECIFICATIONS

<p><b>ELECTRICAL</b></p> <ul style="list-style-type: none"> <li>• Output Signal : Digital</li> <li>• Electrical Connector : USB</li> <li>• Excitation : 5VDC USB</li> </ul>	<p><b>MECHANICAL</b></p> <ul style="list-style-type: none"> <li>• Pressure Port : 1/4 NPT, 7/16-20 UNF, 9/16-18 UNF AS390-04, AS4395E04 (Custom Options Available)</li> <li>• Vibration, Random : 10 GRMS (Higher Levels Available)</li> <li>• Shock : 100G (Peak) (Higher Levels available)</li> </ul>
<p><b>ACCURACY</b></p> <ul style="list-style-type: none"> <li>• Accuracy : Up to <math>\pm 0.10\%</math> FSO</li> <li>• Zero at 70°F : 0.25%FSO</li> <li>• Span at 70°F : 0.25%FSO</li> </ul> <p><small>* ACCURACIES STATED ARE FOR 70°F, CALCULATED USING BEST FIT STRAIGHT LINE FOR ERROR INCLUDING LINEARITY, HYSTERESIS AND NON-REPEATABILITY * IMPROVED SPECIFICATIONS AVAILABLE</small></p>	<p><b>PRESSURE RANGES</b></p> <ul style="list-style-type: none"> <li>• Pressure Range : 0 to 2 thru 0 to 30,000PSI</li> <li>• Proof Pressure : 1.5X Pressure Range</li> <li>• Burst Pressure : 3.0X Pressure Range</li> <li>• Reference : Absolute, Gauge, Sealed Gauge, or Vacuum</li> </ul>
<p><b>THERMAL SPECIFICATION</b></p> <ul style="list-style-type: none"> <li>• Operating Temperature Range : -40°F to 185°F</li> <li>• Compensated Temperature Range : 32°F to 150°F</li> <li>• Zero Temperature Effect : 1.0% FSO/100°F</li> <li>• Span Temperature Effect : 1.0% FSO/100°F</li> </ul>	<p><b>MATERIALS OF CONSTRUCTION</b></p> <ul style="list-style-type: none"> <li>• Wetted Materials : 17-4PH, 316L SST, Hastelloy C-276 Inconel 718</li> <li>• Housing Materials : 304SS</li> </ul> <p>*Please consult factory for your specific needs.</p>

**Standard configurations shown.**  
Please consult factory for other options.

All specifications are for reference purposes only. In the interests of continuous product improvement, all specifications are subject to change without notice. Please contact ASI for assistance with your application. updated: Jan, 2021

**Sold in North America by:**  
**Servoflo Corporation**  
 75 Allen Street  
 Lexington, MA 02421  
 781-862-9572  
[www.servoflo.com/](http://www.servoflo.com/)  
[info@servoflo.com](mailto:info@servoflo.com)